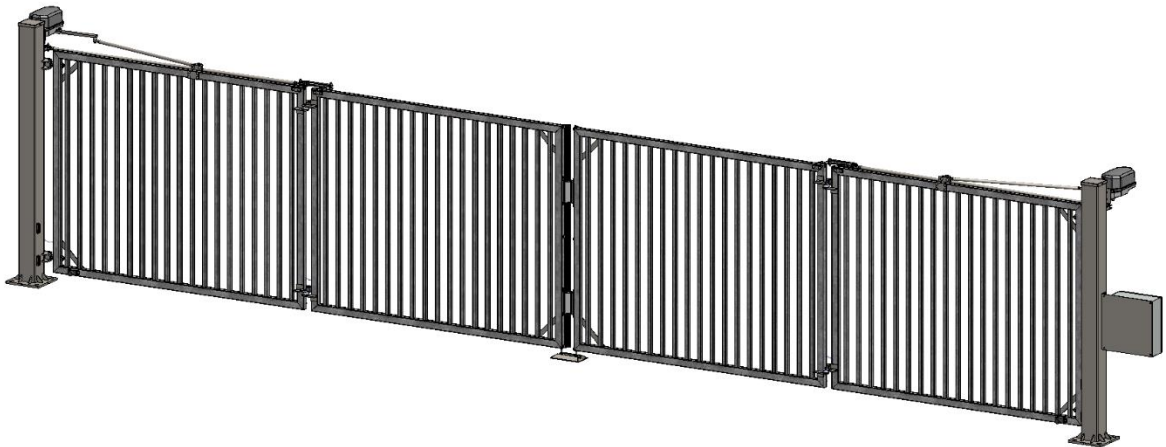


SPEED FOLDING GATES

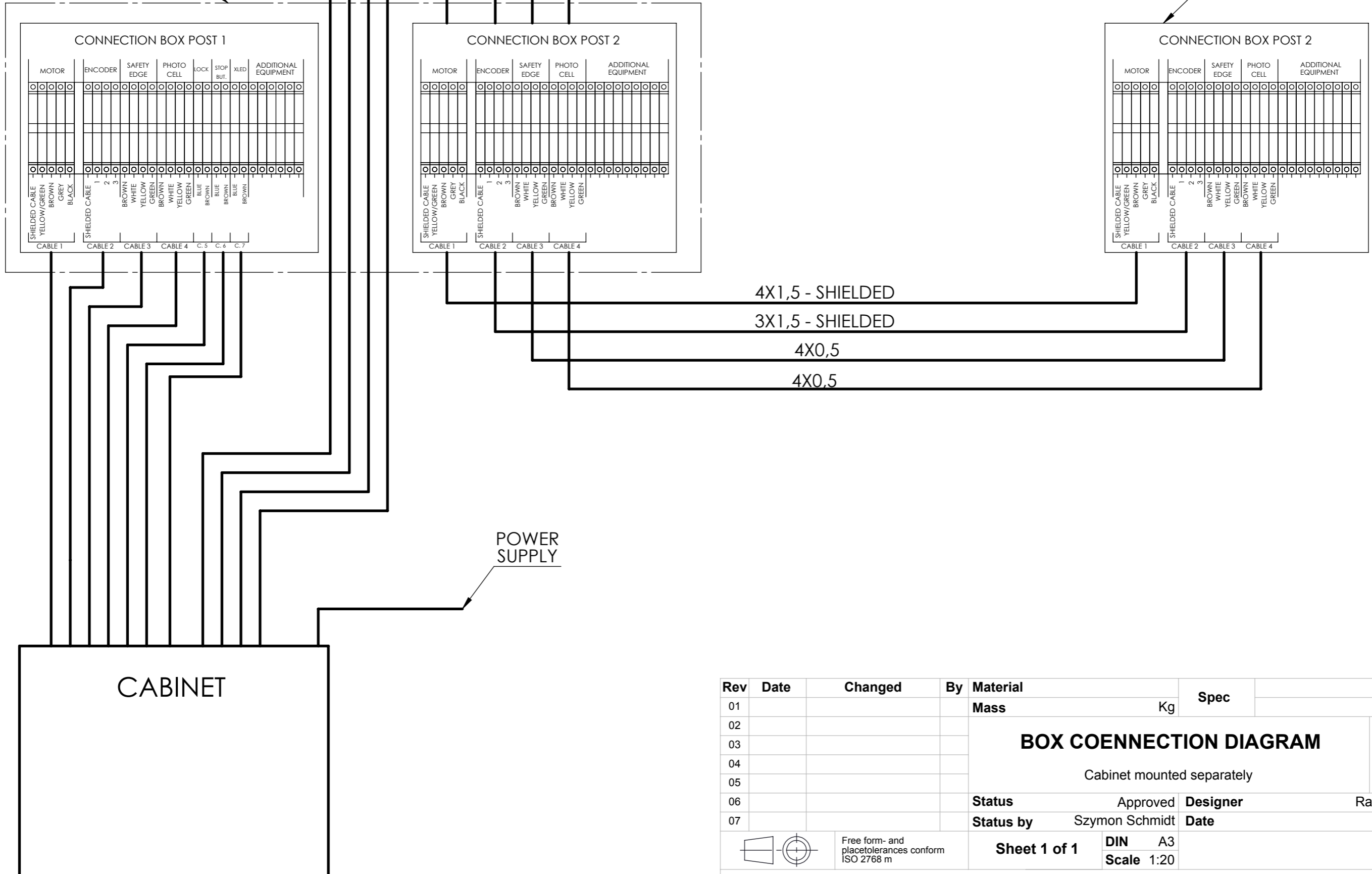


Faldivia[®]

Connection
diagram

CONNECTION BOXES
LOCATED IN POST 1

CONNECTION BOX
LOCATED IN POST 2



Rev	Date	Changed	By	Material	Mass	Spec
01						
02						
03						
04						
05						
06				Status	Approved	Designer
07				Status by	Szymon Schmidt	Date
				Sheet 1 of 1	DIN A3	
				Scale 1:20		

BOX COENNECTION DIAGRAM

Cabinet mounted separately



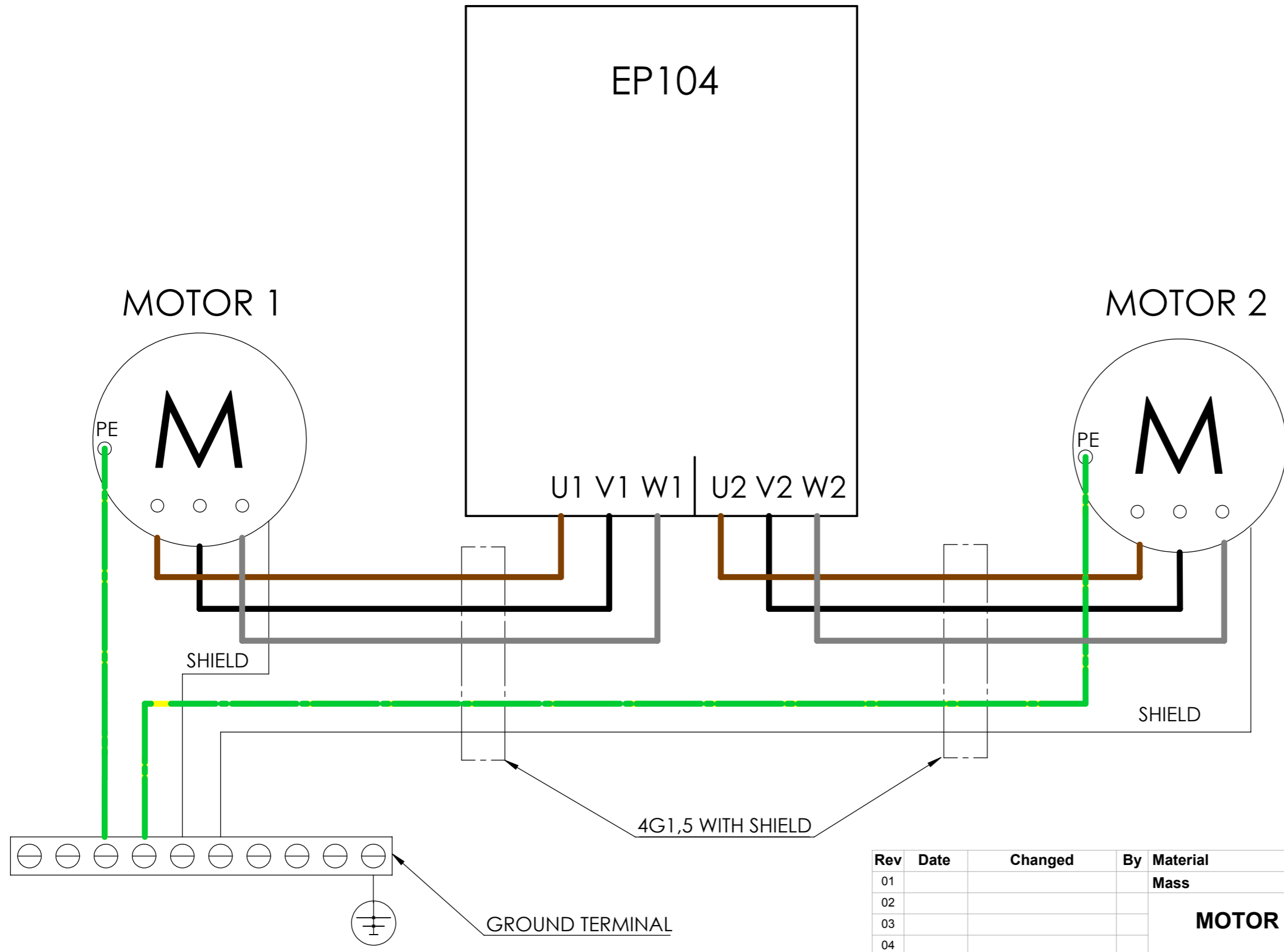
Designer Rafał Bonczek
Date 03.09.2020

Free form- and
placetolerances conform
ISO 2768 m

THIS DRAWING AND THE RELATED INFORMATION IS AND REMAINS THE EXCLUSIVE PROPERTY OF BETAFENCE WITHOUT THE PRIOR WRITTEN CONSENT OF BETAFENCE , THIS DRAWING AND THE RELATED INFORMATION MAY NEITHER BE COPIED OR REPRODUCED, NOR COMMUNICATED IN ANY WAY TO A THIRD PARTY, NOR USED FOR MANUFACTURING OUTSIDE BETAFENCE EACH INFRINGEMENT OF THESE INTELLECTUAL PROPERTY RIGHTS OF BETAFENCE SHALL GIVE RISE TO LEGAL PROCEEDINGS.

Parameters:

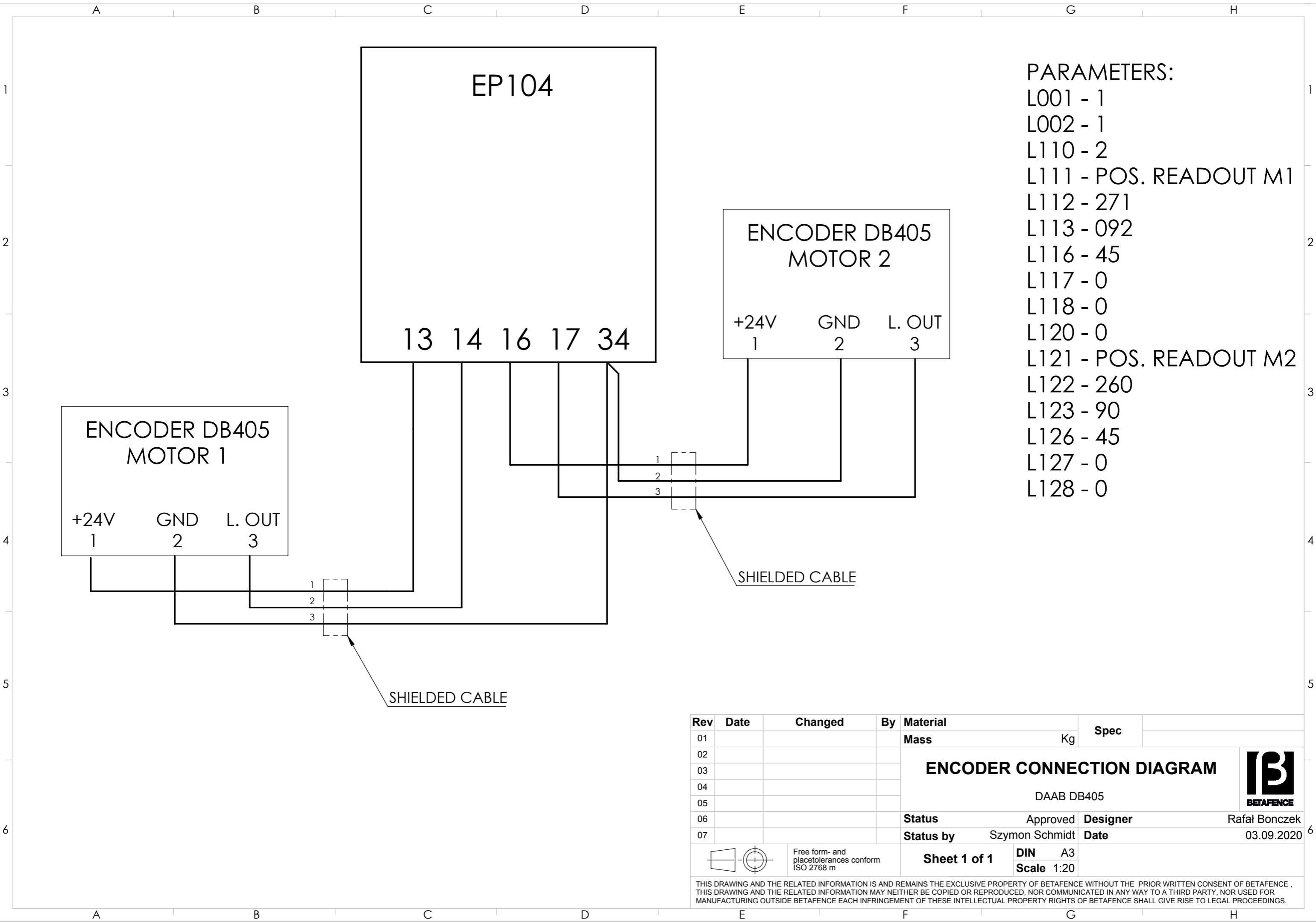
- C200 - 3
- C202 - 2
- C205 - 1
- C211 - 0.5
- C212 - 1.0
- C221 - 5.0
- C230 - 0.2
- C232 - 0.9
- C233 - 1.04
- C240 - 0.2
- C242 - 0.7
- C243 - 0.7
- C252 - 1.3
- C253 - 1.3
- C262 - 0.8
- C263 - 0.8



Rev	Date	Changed	By	Material	Mass	Spec
01						
02						
03						
04						
05						
06						
07						

MOTOR CONNECTION DIAGRAM		
DAAB MK2		
Status	Approved	Designer
Status by	Szymon Schmidt	Date
Sheet 1 of 1		DIN A3
		Scale 1:20

THIS DRAWING AND THE RELATED INFORMATION IS AND REMAINS THE EXCLUSIVE PROPERTY OF BETA FENCE. WITHOUT THE PRIOR WRITTEN CONSENT OF BETA FENCE, THIS DRAWING AND THE RELATED INFORMATION MAY NEITHER BE COPIED OR REPRODUCED, NOR COMMUNICATED IN ANY WAY TO A THIRD PARTY, NOR USED FOR MANUFACTURING OUTSIDE BETA FENCE. EACH INFRINGEMENT OF THESE INTELLECTUAL PROPERTY RIGHTS OF BETA FENCE SHALL GIVE RISE TO LEGAL PROCEEDINGS.

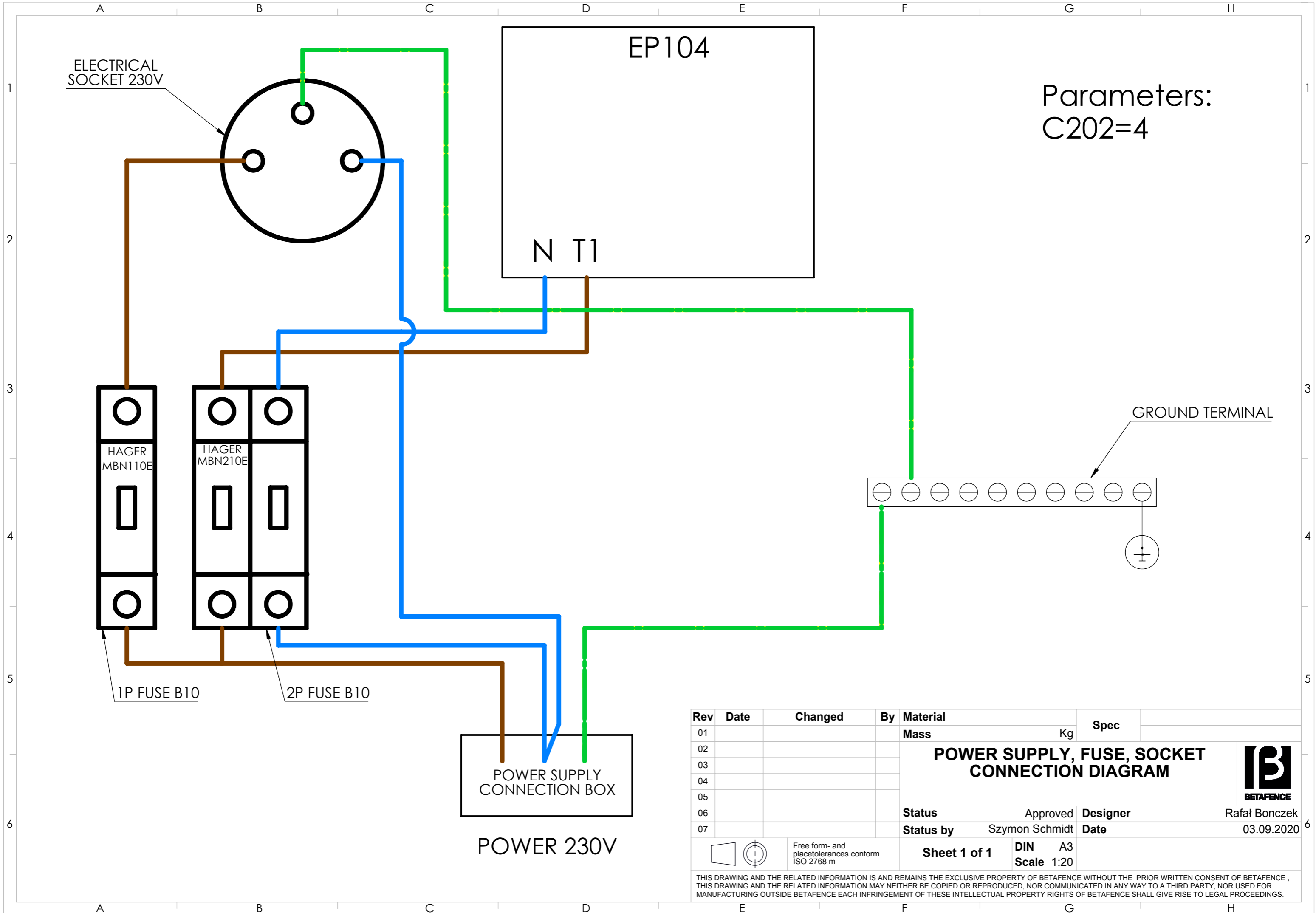


- PARAMETERS:
- L001 - 1
 - L002 - 1
 - L110 - 2
 - L111 - POS. READOUT M1
 - L112 - 271
 - L113 - 092
 - L116 - 45
 - L117 - 0
 - L118 - 0
 - L120 - 0
 - L121 - POS. READOUT M2
 - L122 - 260
 - L123 - 90
 - L126 - 45
 - L127 - 0
 - L128 - 0

Rev	Date	Changed	By	Material	Mass	Spec
01						
02						
03						
04						
05						
06						
07						

ENCODER CONNECTION DIAGRAM		
DAAB DB405		
Status	Approved	Designer
Status by	Szymon Schmidt	Date
Sheet 1 of 1		DIN A3
		Scale 1:20

THIS DRAWING AND THE RELATED INFORMATION IS AND REMAINS THE EXCLUSIVE PROPERTY OF BETAFENCE WITHOUT THE PRIOR WRITTEN CONSENT OF BETAFENCE. THIS DRAWING AND THE RELATED INFORMATION MAY NEITHER BE COPIED OR REPRODUCED, NOR COMMUNICATED IN ANY WAY TO A THIRD PARTY, NOR USED FOR MANUFACTURING OUTSIDE BETAFENCE EACH INFRINGEMENT OF THESE INTELLECTUAL PROPERTY RIGHTS OF BETAFENCE SHALL GIVE RISE TO LEGAL PROCEEDINGS.



Parameters:
C202=4

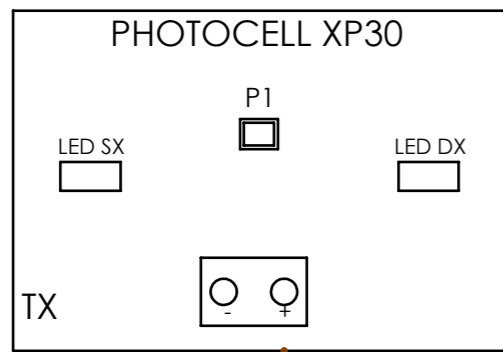
Rev	Date	Changed	By	Material	Mass	Spec
01						
02						
03						
04						
05						
06						
07						

POWER SUPPLY, FUSE, SOCKET CONNECTION DIAGRAM			
Status	Approved	Designer	
Status by	Szymon Schmidt	Date	03.09.2020
Sheet 1 of 1		DIN	A3
		Scale	1:20

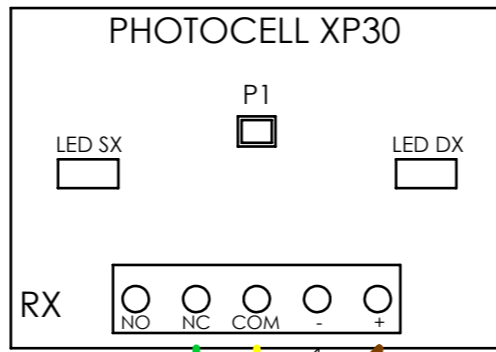
THIS DRAWING AND THE RELATED INFORMATION IS AND REMAINS THE EXCLUSIVE PROPERTY OF BETA FENCE. THIS DRAWING AND THE RELATED INFORMATION MAY NEITHER BE COPIED OR REPRODUCED, NOR COMMUNICATED IN ANY WAY TO A THIRD PARTY, NOR USED FOR MANUFACTURING OUTSIDE BETA FENCE. EACH INFRINGEMENT OF THESE INTELLECTUAL PROPERTY RIGHTS OF BETA FENCE SHALL GIVE RISE TO LEGAL PROCEEDINGS.

POST 1

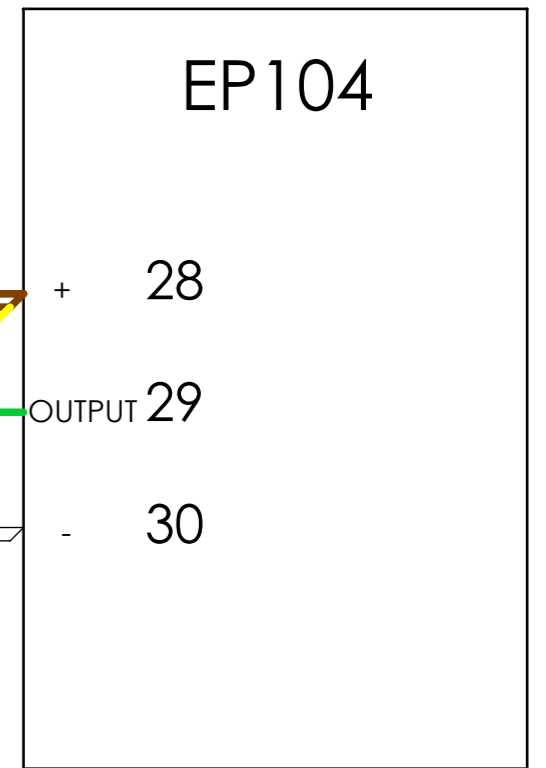
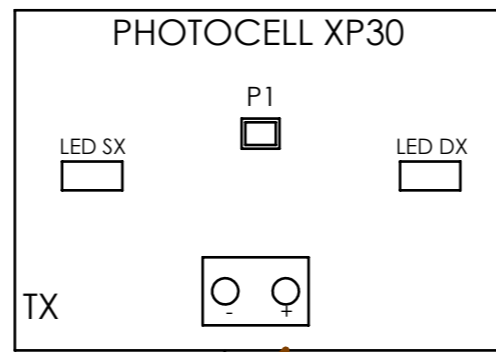
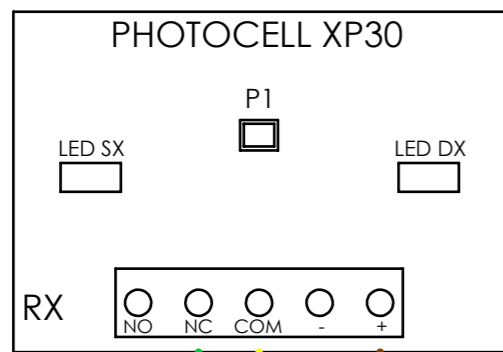
PAIR 1



PAIR 2



POST 2



WAGO/2

PARAMETERS:

- C340 - 1
- C341 - 1
- C342 - 1
- C343 - 1
- C351 - 0
- C354 - 2

Rev	Date	Changed	By	Material	Mass	Spec
01						
02						
03						
04						
05						
06						
07						

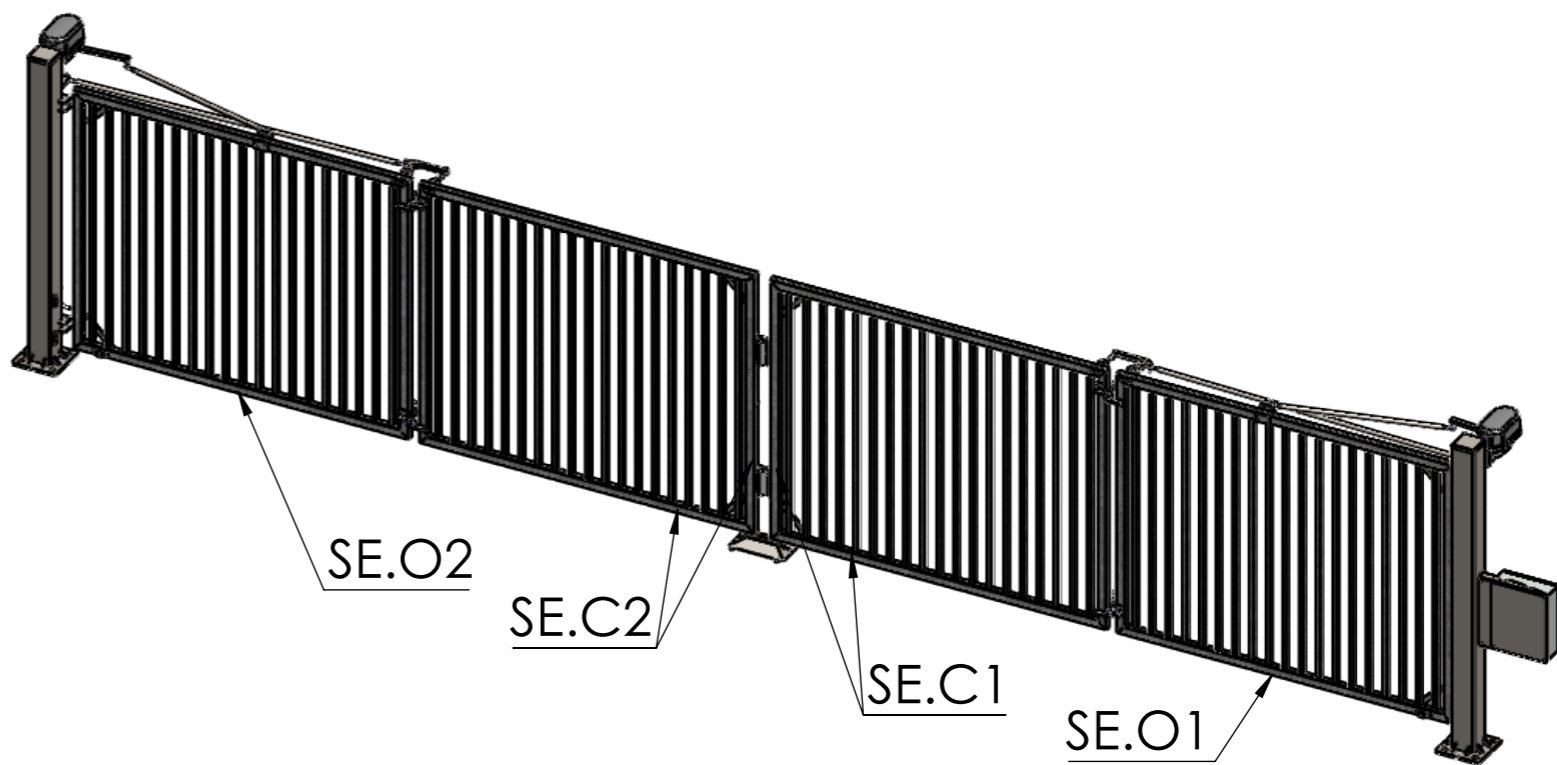
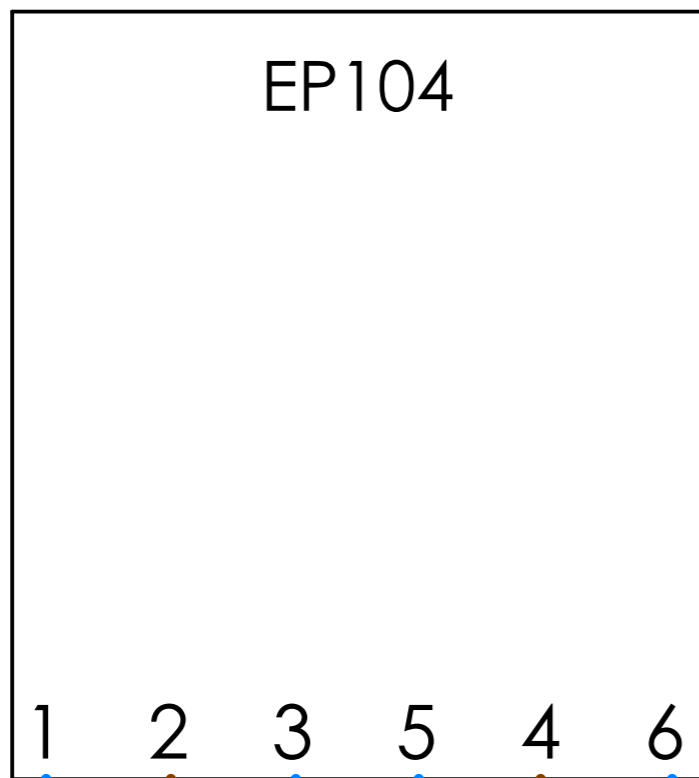
PHOTOCELL CONNECTION DIAGRAM				
2 PAIR FAAC XP30				
Status	Approved	Designer	Rafał Bonczek	
Status by	Szymon Schmidt	Date	19-06-2020	
Sheet 1 of 1		DIN	A3	
		Scale	1:20	

Free form- and
placetolerances conform
ISO 2768 m

THIS DRAWING AND THE RELATED INFORMATION IS AND REMAINS THE EXCLUSIVE PROPERTY OF BETAFENCE WITHOUT THE PRIOR WRITTEN CONSENT OF BETAFENCE. THIS DRAWING AND THE RELATED INFORMATION MAY NEITHER BE COPIED OR REPRODUCED, NOR COMMUNICATED IN ANY WAY TO A THIRD PARTY, NOR USED FOR MANUFACTURING OUTSIDE BETAFENCE EACH INFRINGEMENT OF THESE INTELLECTUAL PROPERTY RIGHTS OF BETAFENCE SHALL GIVE RISE TO LEGAL PROCEEDINGS.

Parameters:

- C101-0
- C102-0
- C103-1
- C104-1
- C105-0
- C111-2
- C112-1
- C113-1
- C115-8.2
- C121-2
- C122-1
- C123-1
- C125-8.2
- C131-2
- C132-1
- C133-1
- C135-8.2
- C141-2
- C142-1
- C143-1
- C145-8.2



Safety edges connected in series

Safety edges connected in series

Rev	Date	Changed	By	Material	Spec
01				Mass	
02					
03					
04					
05					
06				Status	Approved
07				Status by	Szymon Schmidt
				Designer	Rafał Bonczek
				Date	03.09.2020
				Sheet 1 of 1	DIN A3 Scale 1:20

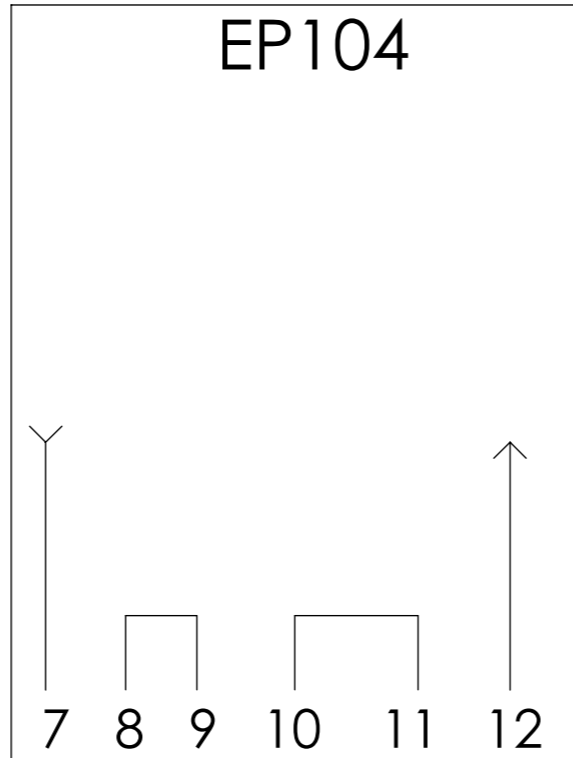
SAFETY EDGE CONNECTION DIAGRAM



Free form- and placetolerances conform ISO 2768 m

THIS DRAWING AND THE RELATED INFORMATION IS AND REMAINS THE EXCLUSIVE PROPERTY OF BETAFENCE WITHOUT THE PRIOR WRITTEN CONSENT OF BETAFENCE. THIS DRAWING AND THE RELATED INFORMATION MAY NEITHER BE COPIED OR REPRODUCED, NOR COMMUNICATED IN ANY WAY TO A THIRD PARTY, NOR USED FOR MANUFACTURING OUTSIDE BETAFENCE EACH INFRINGEMENT OF THESE INTELLECTUAL PROPERTY RIGHTS OF BETAFENCE SHALL GIVE RISE TO LEGAL PROCEEDINGS.

STOP BUTTON

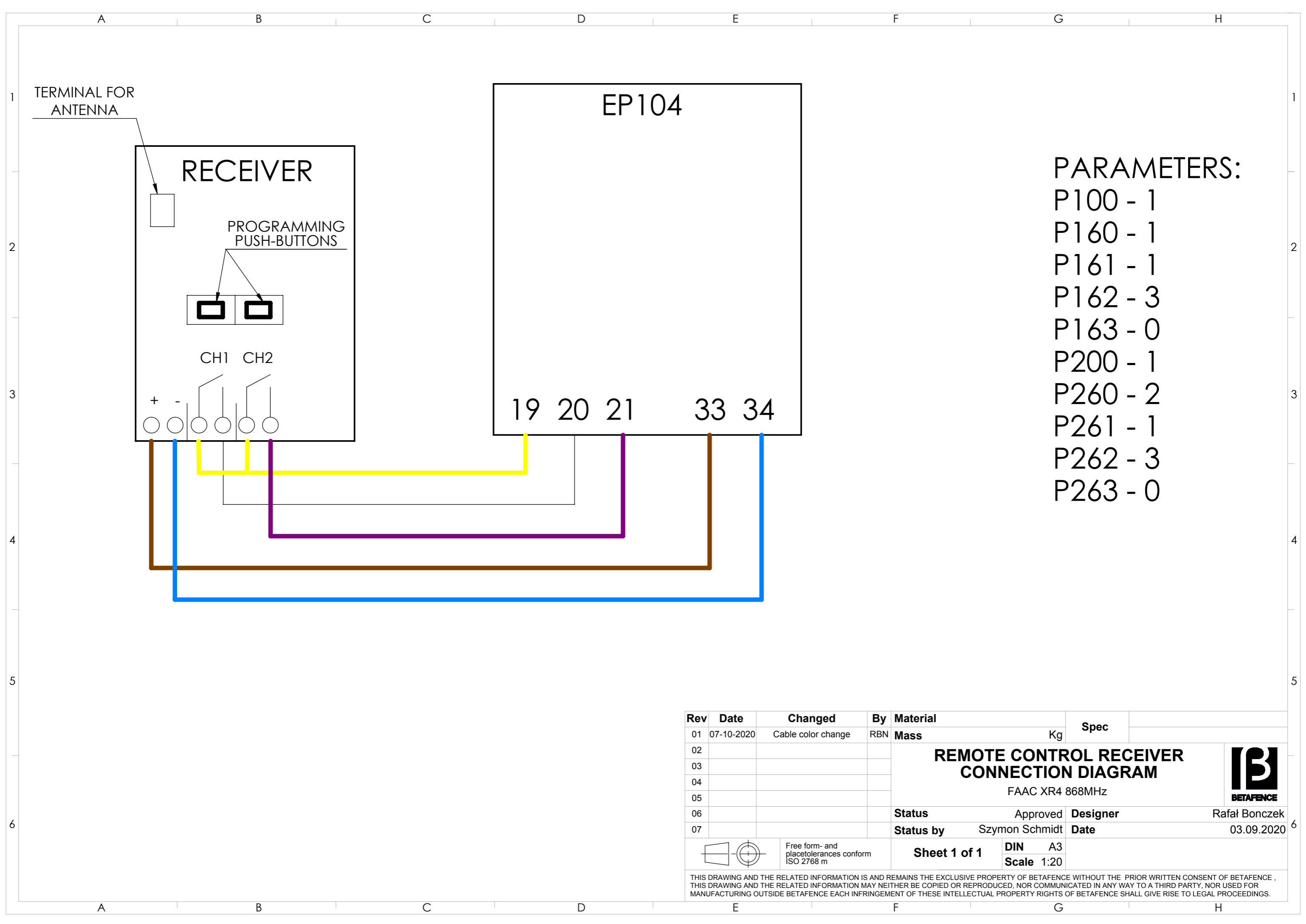


ADDITIONAL CONTACTS FOR EMERGENCY STOP SWITCHES

Rev	Date	Changed	By	Material	Spec		
01				Mass	Kg		
02				STOP BUTTON CONNECTION DIAGRAM			
03							
04							
05							
06				Status	Szymon Schmidt	Designer	Rafał Bonczek
07				Status by	Approved	Date	03.09.2020
				Free form- and placetolerances conform ISO 2768 m	Sheet 1 of 1	DIN A3	Scale 1:20



THIS DRAWING AND THE RELATED INFORMATION IS AND REMAINS THE EXCLUSIVE PROPERTY OF BETAFENCE WITHOUT THE PRIOR WRITTEN CONSENT OF BETAFENCE. THIS DRAWING AND THE RELATED INFORMATION MAY NEITHER BE COPIED OR REPRODUCED, NOR COMMUNICATED IN ANY WAY TO A THIRD PARTY, NOR USED FOR MANUFACTURING OUTSIDE BETAFENCE EACH INFRINGEMENT OF THESE INTELLECTUAL PROPERTY RIGHTS OF BETAFENCE SHALL GIVE RISE TO LEGAL PROCEEDINGS.



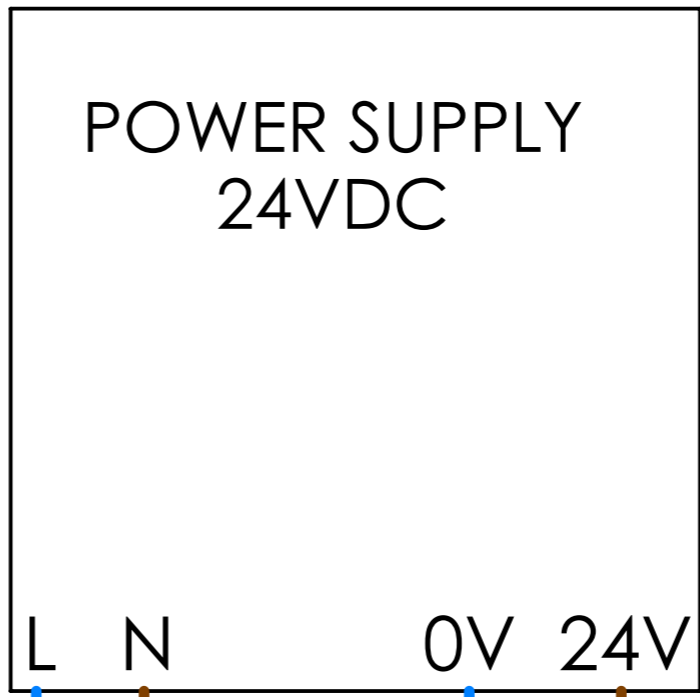
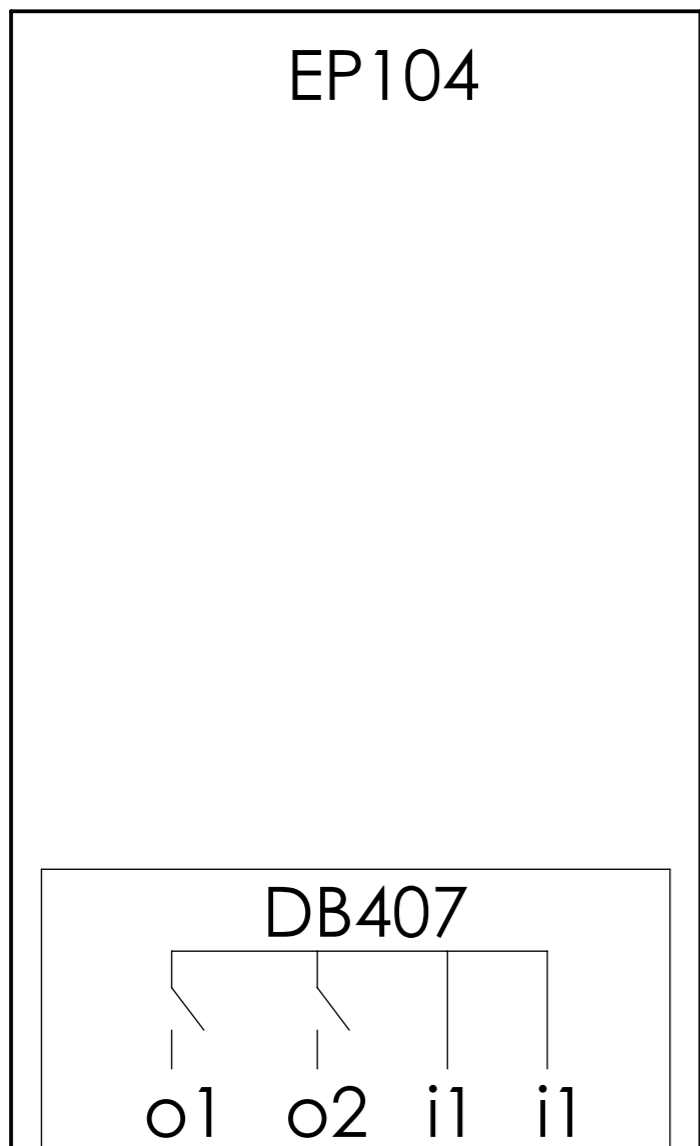
- PARAMETERS:
- P100 - 1
 - P160 - 1
 - P161 - 1
 - P162 - 3
 - P163 - 0
 - P200 - 1
 - P260 - 2
 - P261 - 1
 - P262 - 3
 - P263 - 0

Rev	Date	Changed	By	Material	Spec
01	07-10-2020	Cable color change	RBN	Mass	Kg
02					
03					
04					
05					
06				Status	Approved
07				Status by	Szymon Schmidt
				Designer	Rafał Bonczek
				Date	03.09.2020
		Free form- and placetolerances conform ISO 2768 m		Sheet 1 of 1	DIN A3 Scale 1:20

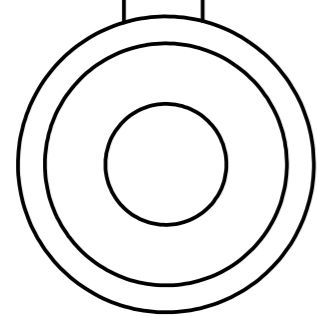
**REMOTE CONTROL RECEIVER
CONNECTION DIAGRAM**
FAAC XR4 868MHz



THIS DRAWING AND THE RELATED INFORMATION IS AND REMAINS THE EXCLUSIVE PROPERTY OF BETAFENCE WITHOUT THE PRIOR WRITTEN CONSENT OF BETAFENCE. THIS DRAWING AND THE RELATED INFORMATION MAY NEITHER BE COPIED OR REPRODUCED, NOR COMMUNICATED IN ANY WAY TO A THIRD PARTY, NOR USED FOR MANUFACTURING OUTSIDE BETAFENCE EACH INFRINGEMENT OF THESE INTELLECTUAL PROPERTY RIGHTS OF BETAFENCE SHALL GIVE RISE TO LEGAL PROCEEDINGS.



- PARAMETERS:
- o100 - 1
 - o110 - 0
 - o111 - 0
 - o112 - 1
 - o113 - 0



MAGNETIC LOCK 1

Rev	Date	Changed	By	Material	Mass	Spec
01						
02						
03						
04						
05						
06				Status		Designer
07				Status by		Date

	Free form- and placetolerances conform ISO 2768 m	Sheet 1 of 1	DIN A3
			Scale 1:20



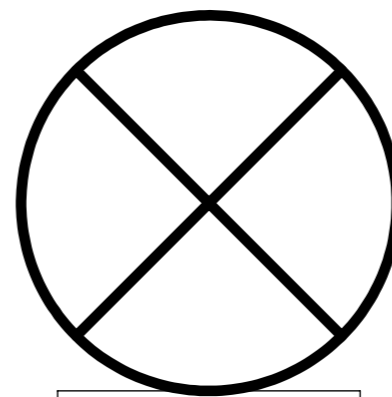
THIS DRAWING AND THE RELATED INFORMATION IS AND REMAINS THE EXCLUSIVE PROPERTY OF BETAFENCE WITHOUT THE PRIOR WRITTEN CONSENT OF BETAFENCE. THIS DRAWING AND THE RELATED INFORMATION MAY NEITHER BE COPIED OR REPRODUCED, NOR COMMUNICATED IN ANY WAY TO A THIRD PARTY, NOR USED FOR MANUFACTURING OUTSIDE BETAFENCE EACH INFRINGEMENT OF THESE INTELLECTUAL PROPERTY RIGHTS OF BETAFENCE SHALL GIVE RISE TO LEGAL PROCEEDINGS.

EP104

DB407

o3 o4 i2 i2

FAAC XLED



~ LAMP ± ¥ ANT ↓

Parameters:

- o300 - 1
- o310 - 0
- o311 - 1
- o312 - 0
- o313 - 4

The integrated antenna is compatible with 433 MHz and 868 MHz receivers.

L N

Rev	Date	Changed	By	Material	Mass	Spec
01						
02						
03						
04						
05						
06				Status	Szymon Schmidt	Designer
07				Status by	Approved	Date
				Sheet 1 of 1	DIN A3	
					Scale 1:20	

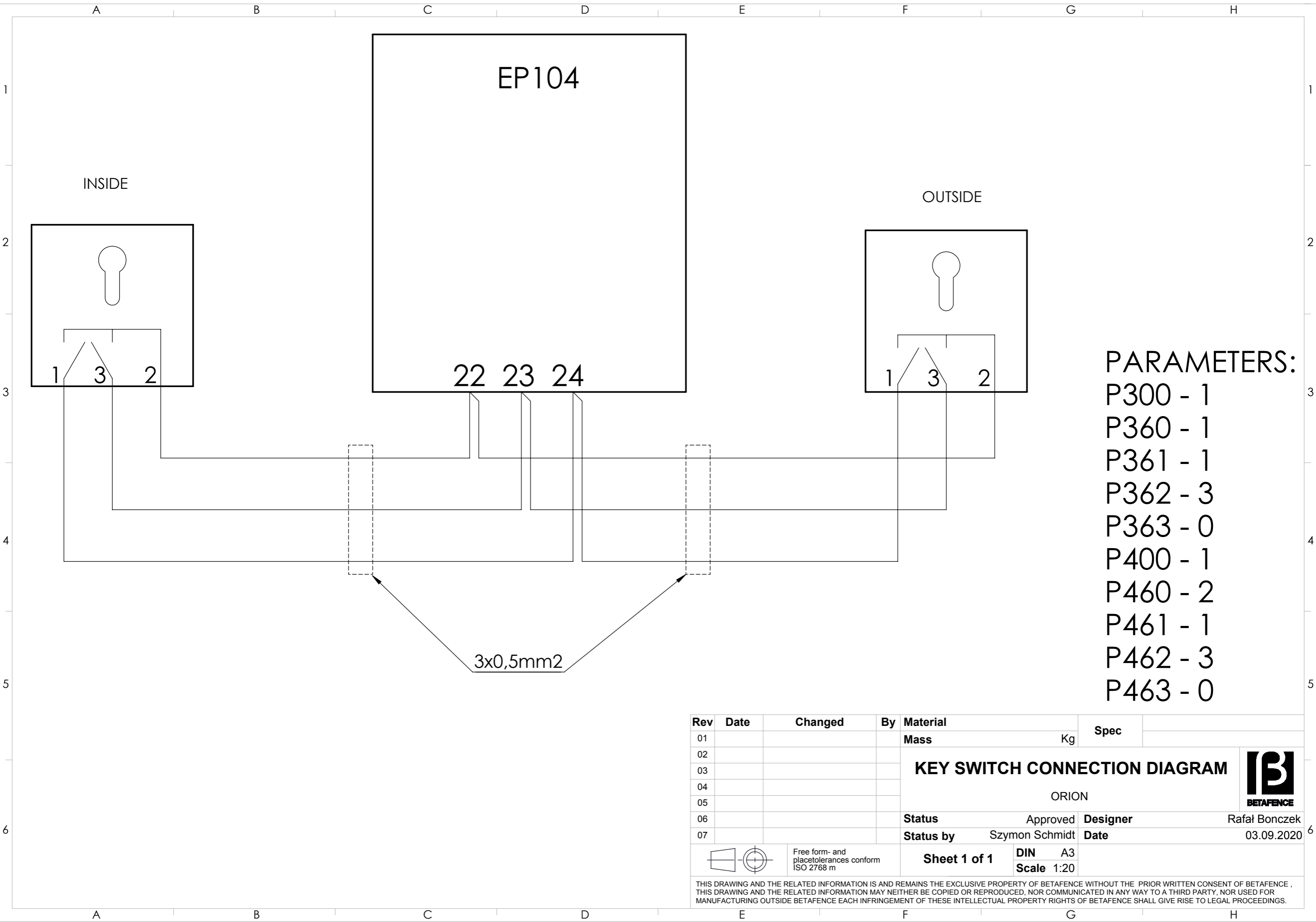
FAAC XLED CONNECTION DIAGRAM



Rafał Bonczek
03.09.2020

Free form- and
placetolerances conform
ISO 2768 m

THIS DRAWING AND THE RELATED INFORMATION IS AND REMAINS THE EXCLUSIVE PROPERTY OF BETAFENCE. THIS DRAWING AND THE RELATED INFORMATION MAY NEITHER BE COPIED OR REPRODUCED, NOR COMMUNICATED IN ANY WAY TO A THIRD PARTY, NOR USED FOR MANUFACTURING OUTSIDE BETAFENCE. EACH INFRINGEMENT OF THESE INTELLECTUAL PROPERTY RIGHTS OF BETAFENCE SHALL GIVE RISE TO LEGAL PROCEEDINGS.

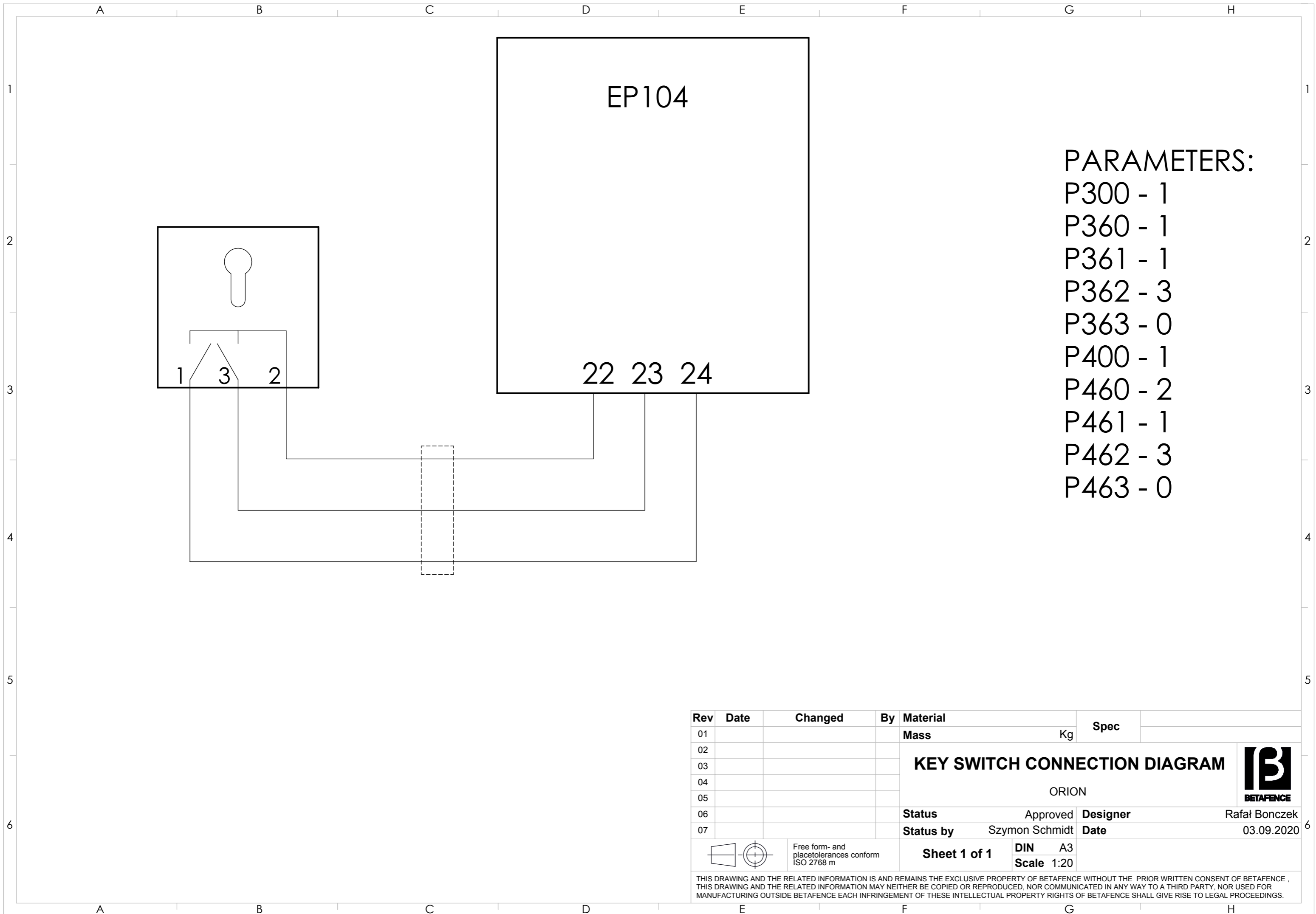


- PARAMETERS:**
- P300 - 1
 - P360 - 1
 - P361 - 1
 - P362 - 3
 - P363 - 0
 - P400 - 1
 - P460 - 2
 - P461 - 1
 - P462 - 3
 - P463 - 0


Rev	Date	Changed	By	Material	Mass	Spec
01						
02						
03						
04						
05						
06						
07						

KEY SWITCH CONNECTION DIAGRAM		
ORION		
Status	Approved	Designer
Status by	Szymon Schmidt	Date
Sheet 1 of 1		DIN A3
		Scale 1:20

THIS DRAWING AND THE RELATED INFORMATION IS AND REMAINS THE EXCLUSIVE PROPERTY OF BETAFENCE WITHOUT THE PRIOR WRITTEN CONSENT OF BETAFENCE. THIS DRAWING AND THE RELATED INFORMATION MAY NEITHER BE COPIED OR REPRODUCED, NOR COMMUNICATED IN ANY WAY TO A THIRD PARTY, NOR USED FOR MANUFACTURING OUTSIDE BETAFENCE EACH INFRINGEMENT OF THESE INTELLECTUAL PROPERTY RIGHTS OF BETAFENCE SHALL GIVE RISE TO LEGAL PROCEEDINGS.



Rev	Date	Changed	By	Material	Spec
01				Mass	Kg
02					
03					
04					
05					
06				Status	Approved
07				Status by	Szymon Schmidt



Free form- and
placetolerances conform
ISO 2768 m


Sheet 1 of 1

DIN A3
Scale 1:20

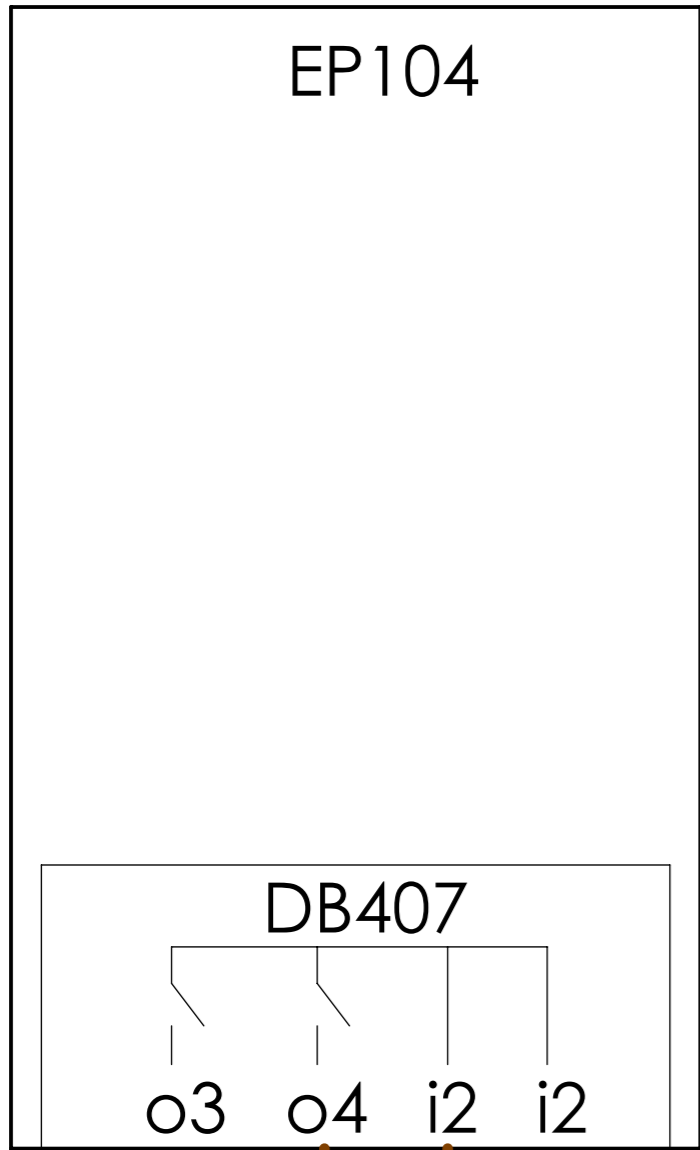
KEY SWITCH CONNECTION DIAGRAM

ORION

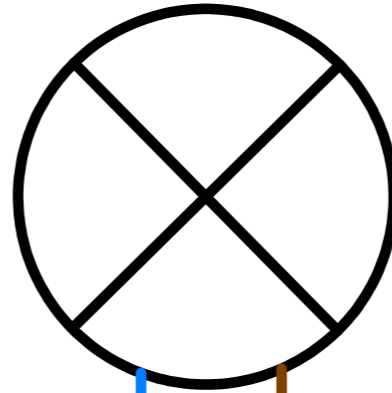
Designer Rafał Bonczek
Date 03.09.2020



THIS DRAWING AND THE RELATED INFORMATION IS AND REMAINS THE EXCLUSIVE PROPERTY OF BETA FENCE WITHOUT THE PRIOR WRITTEN CONSENT OF BETA FENCE. THIS DRAWING AND THE RELATED INFORMATION MAY NEITHER BE COPIED OR REPRODUCED, NOR COMMUNICATED IN ANY WAY TO A THIRD PARTY, NOR USED FOR MANUFACTURING OUTSIDE BETA FENCE EACH INFRINGEMENT OF THESE INTELLECTUAL PROPERTY RIGHTS OF BETA FENCE SHALL GIVE RISE TO LEGAL PROCEEDINGS.



LED Light



L

N

Rev	Date	Changed	By	Material	Mass	Spec
01						
02						
03						
04						
05						
06				Status	Szymon Schmidt	Designer
07				Status by	Approved	Date
				Sheet 1 of 1	DIN A3	
					Scale 1:20	

LED LIGHT CONNECTION DIAGRAM



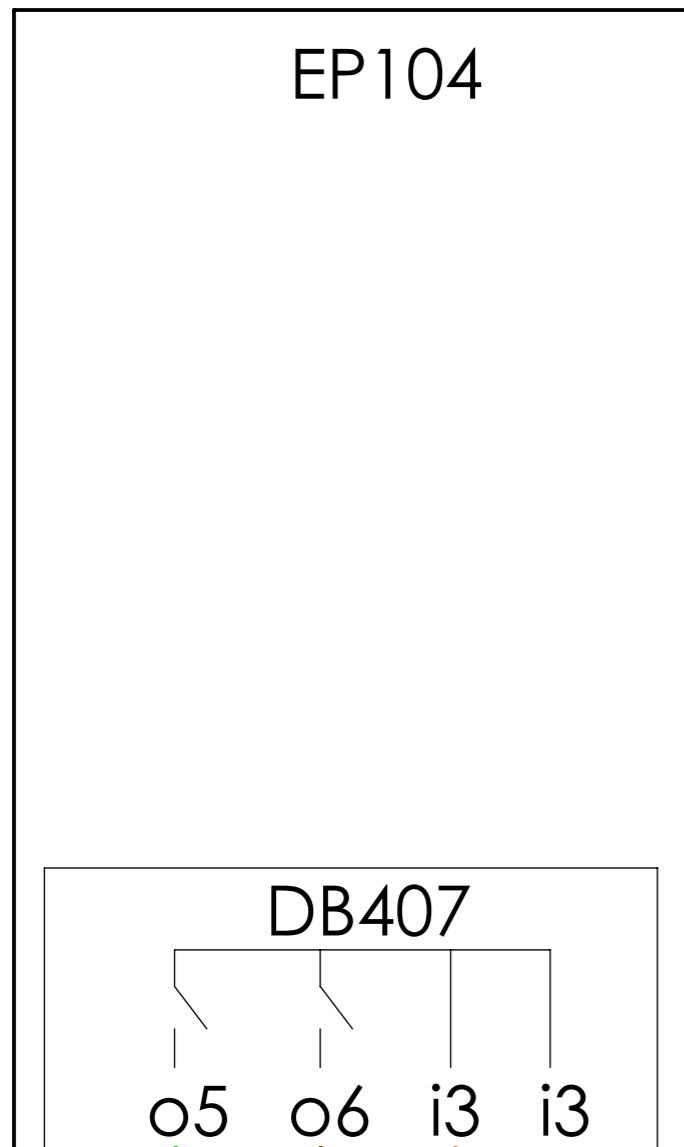
Rafał Bonczek

03.09.2020

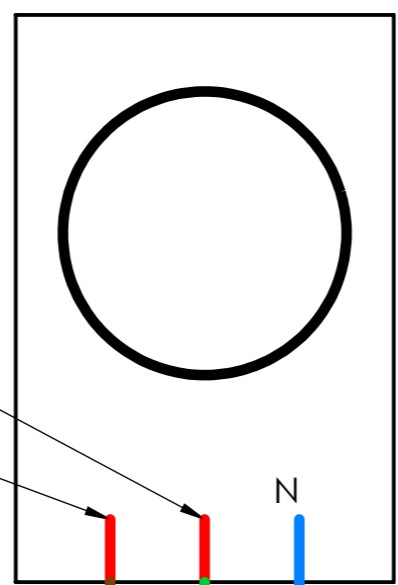


Free form- and
placetolerances conform
ISO 2768 m

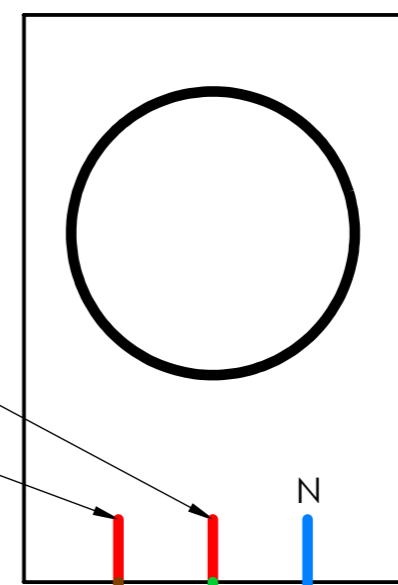
THIS DRAWING AND THE RELATED INFORMATION IS AND REMAINS THE EXCLUSIVE PROPERTY OF BETAFENCE WITHOUT THE PRIOR WRITTEN CONSENT OF BETAFENCE. THIS DRAWING AND THE RELATED INFORMATION MAY NEITHER BE COPIED OR REPRODUCED, NOR COMMUNICATED IN ANY WAY TO A THIRD PARTY, NOR USED FOR MANUFACTURING OUTSIDE BETAFENCE EACH INFRINGEMENT OF THESE INTELLECTUAL PROPERTY RIGHTS OF BETAFENCE SHALL GIVE RISE TO LEGAL PROCEEDINGS.



GREEN LIGHT
RED LIGHT



GREEN LIGHT
RED LIGHT



3x1,5mm²

Parameters:

- Green light:
- o500 - 1
- o510 - 1
- o511 - 0
- o512 - 0
- o513 - 0

- Red light:
- o600 - 1
- o610 - 0
- o611 - 1
- o612 - 1
- o613 - 1

L N

Rev	Date	Changed	By	Material	Mass	Spec
01						
02						
03						
04						
05						
06				Status	Szymon Schmidt	Designer
07				Status by	Approved	Date
				Sheet 1 of 1	DIN A3	
					Scale 1:20	

TRAFFIC LIGHTS CONNECTION DIAGRAM
FAAC



Rafał Bonczek
07.10.2020

Free form- and placetolerances conform ISO 2768 m

THIS DRAWING AND THE RELATED INFORMATION IS AND REMAINS THE EXCLUSIVE PROPERTY OF BETAFENCE WITHOUT THE PRIOR WRITTEN CONSENT OF BETAFENCE. THIS DRAWING AND THE RELATED INFORMATION MAY NEITHER BE COPIED OR REPRODUCED, NOR COMMUNICATED IN ANY WAY TO A THIRD PARTY, NOR USED FOR MANUFACTURING OUTSIDE BETAFENCE EACH INFRINGEMENT OF THESE INTELLECTUAL PROPERTY RIGHTS OF BETAFENCE SHALL GIVE RISE TO LEGAL PROCEEDINGS.