



**Izifix** ®

## **Installation manual**



# 0. Content

---

## 1. Components of the fencing system

1. The posts

## 2. Installation of the fencing system

1. Foundations

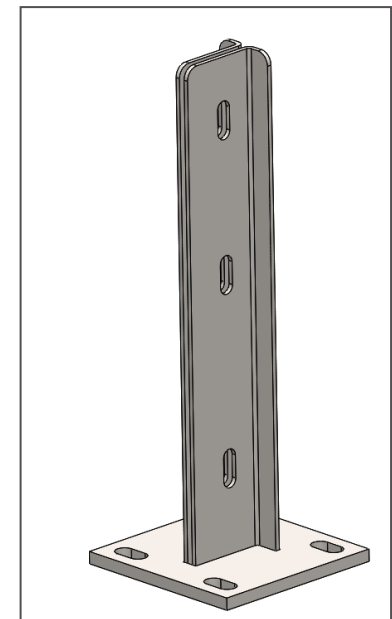
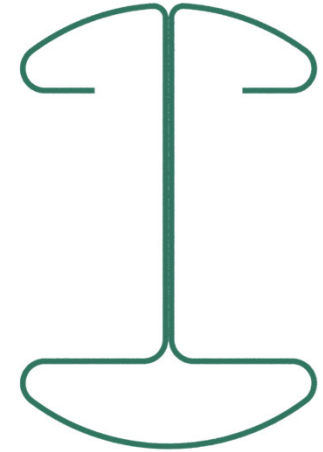
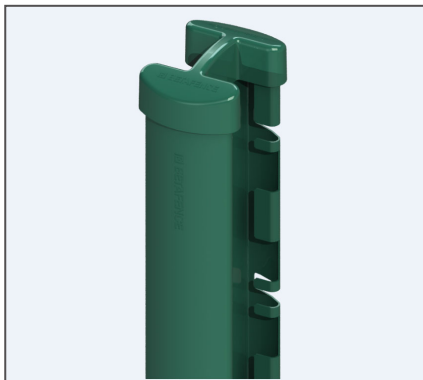
2. Installation posts & panels

# 1. Components of the fencing system

---

## 1. The posts

- Profile 75x50x1mm (steel S250)
- Post without accessories
- Posts are available for panels heights from 0.6 to 2 metres
- The posts are galvanised inside and outside and polyester-coated afterwards
- This type of post can be installed with Nylofor 3D, 3D Pro, 3D Pro XL, 3D Essential and all Bekafor panel types,
- Not possible to install with Nylofor 3DS
- Each post is fitted with a polyamide post cap
- A base plate can be screwed onto the post
- Holes to connect the base plate are standard foreseen in the post
- Corners can be made with a standard post



## 2. Installation of the fencing system

### 1. Foundations

- To obtain the best result, it is advisable to level the ground over the whole length of the fence
- For correct positioning, maintain the centre-centre distances. The distance is determined by the type of panel being installed

Panel width	Post system	Centre-centre distance
2000	Izifix	2040 mm
2500	Izifix	2540 mm
3000	Izifix	3040 mm

- Align the fence line
- To determine the dimensions of the foundations it is advisable to consult a specialised engineer to evaluate wind load and solar conditions and any other factors requiring specialist opinion (concrete quality directive B30)

Example:



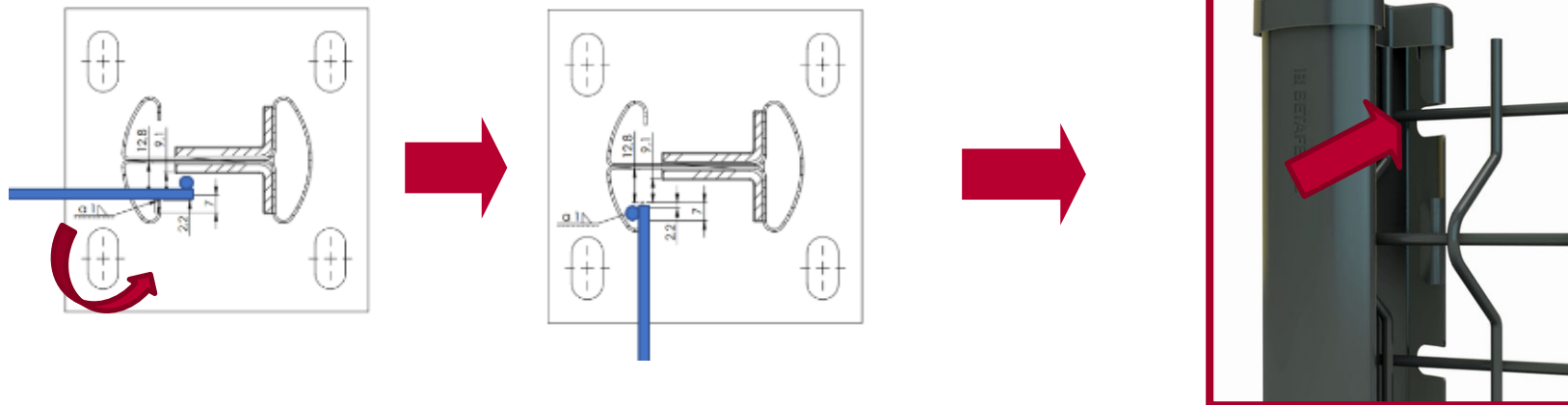
## 2. Installation of the fencing system

---

### 2. Installation posts & panels

- Installation principle: Izifix posts are installed according to the 'post-panel-post' system
- (1) Entering the panel perpendicularly to fence line and then turning into post.  
Bring the panel into the "bounding box" of the post

#### STEP 1



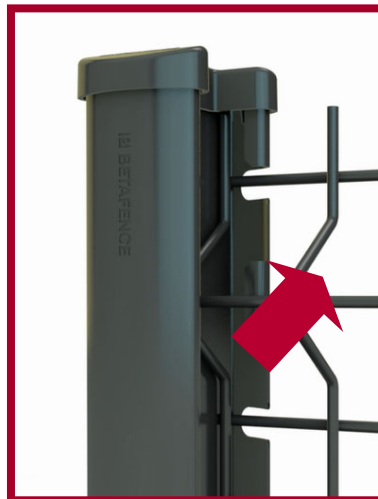
## 2. Installation of the fencing system

---

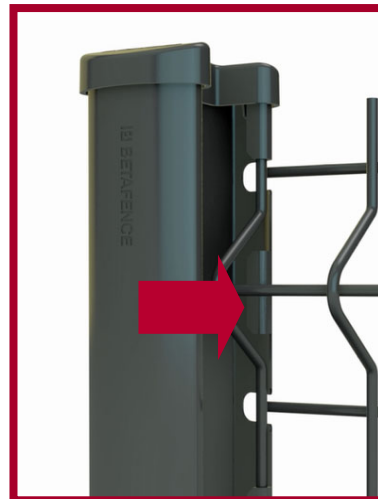
### 2. Installation posts & panels

- Installation principle: Izifix posts are installed according to the 'post-panel-post' system
- (2) Push to the panel towards the end of the post
- (3) Move the panel in the right direction until it blocks safely behind the lips of the posts

STEP 2



STEP 3

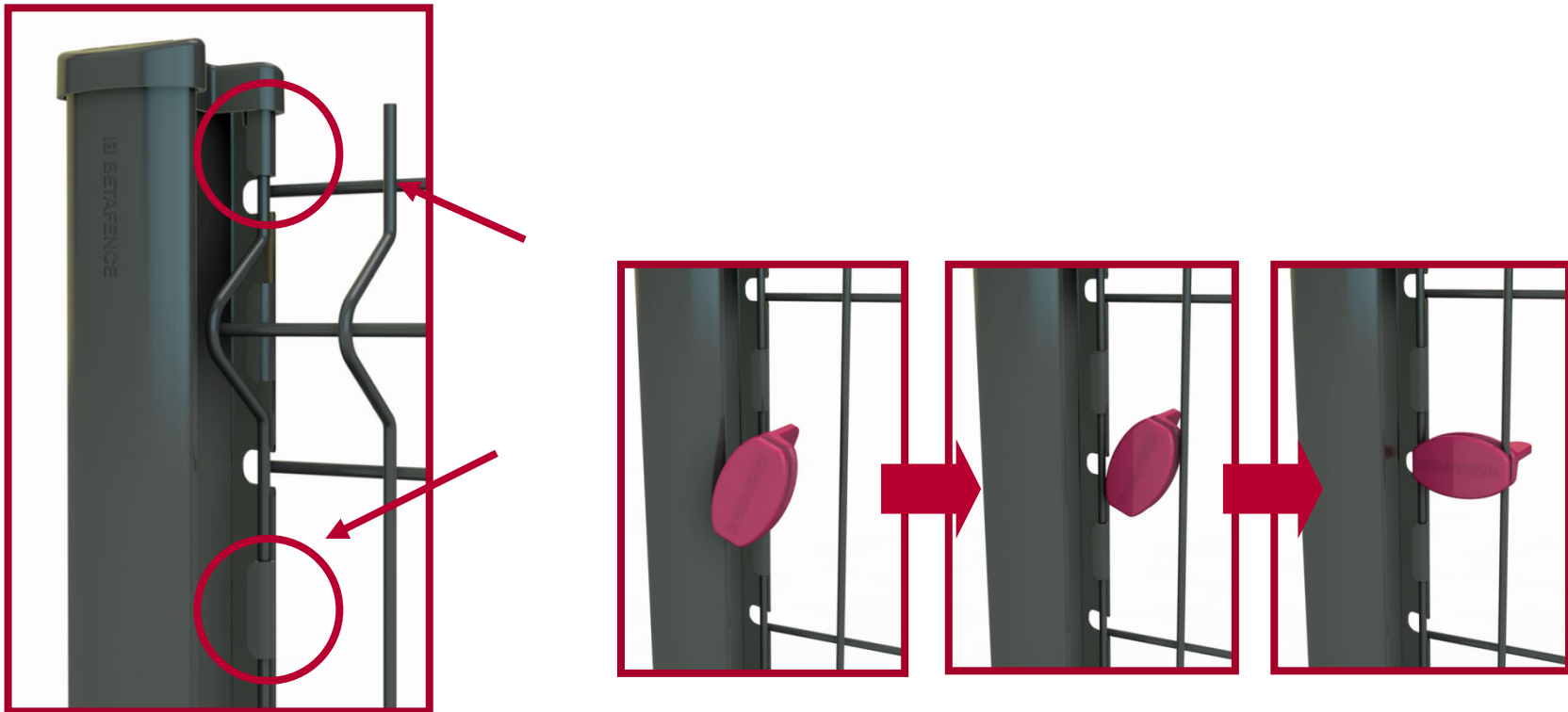


## 2. Installation of the fencing system

---

### 2. Installation posts & panels

- The panel is directly secured by the inner folding that blocks the vertical wire of the panel
- Use the tension tool to keep the panels in position while installing the fence



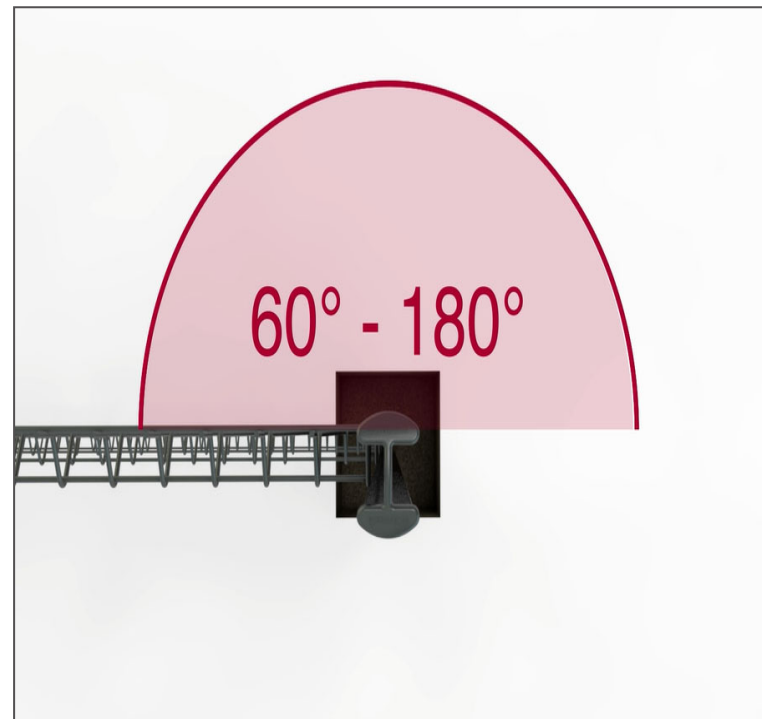
## 2. Installation of the fencing system

---

### 2. Installation posts & panels

#### MAKING CORNERS

Corners between  $60^\circ$  and  $180^\circ$  can be made with one and the same post





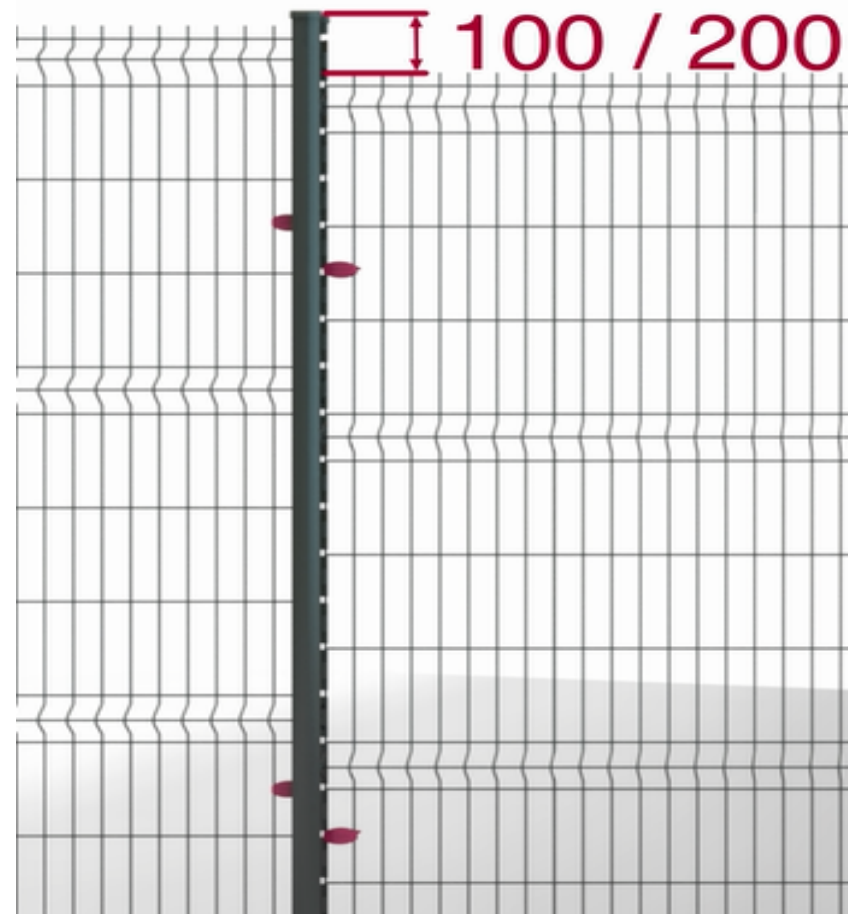
## 2. Installation of the fencing system

---

### 2. Installation posts & panels

#### INSTALLATION ON SLOPES

Slopes are possible per steps of 100mm

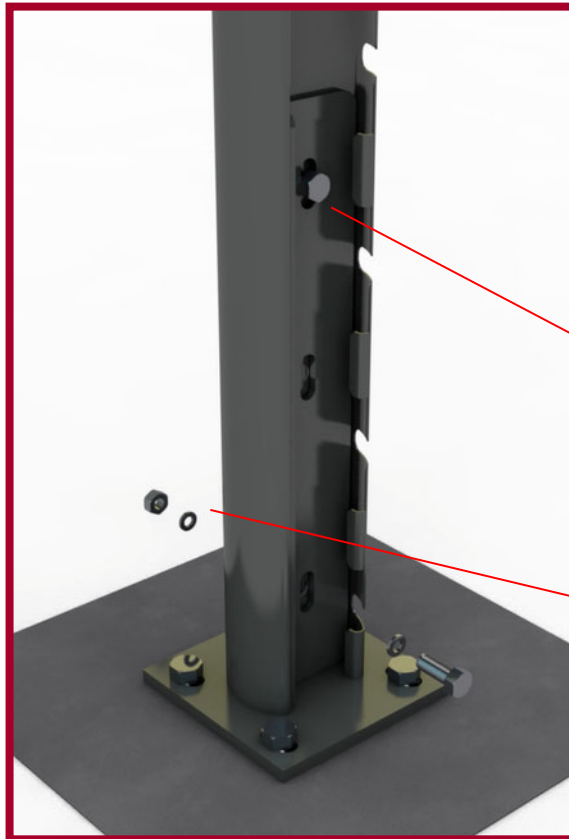


## 2. Installation of the fencing system

### 2. Installation posts & panels

#### INSTALLATION OF THE BASE PLATE

- Holes are already foreseen in the posts



Screw M8x20 – stainless steel - 2x  
M8 washer - stainless steel - 4x  
M8 nut - stainless steel - 2x

*Note:* bolts and washers are not included with the footplate

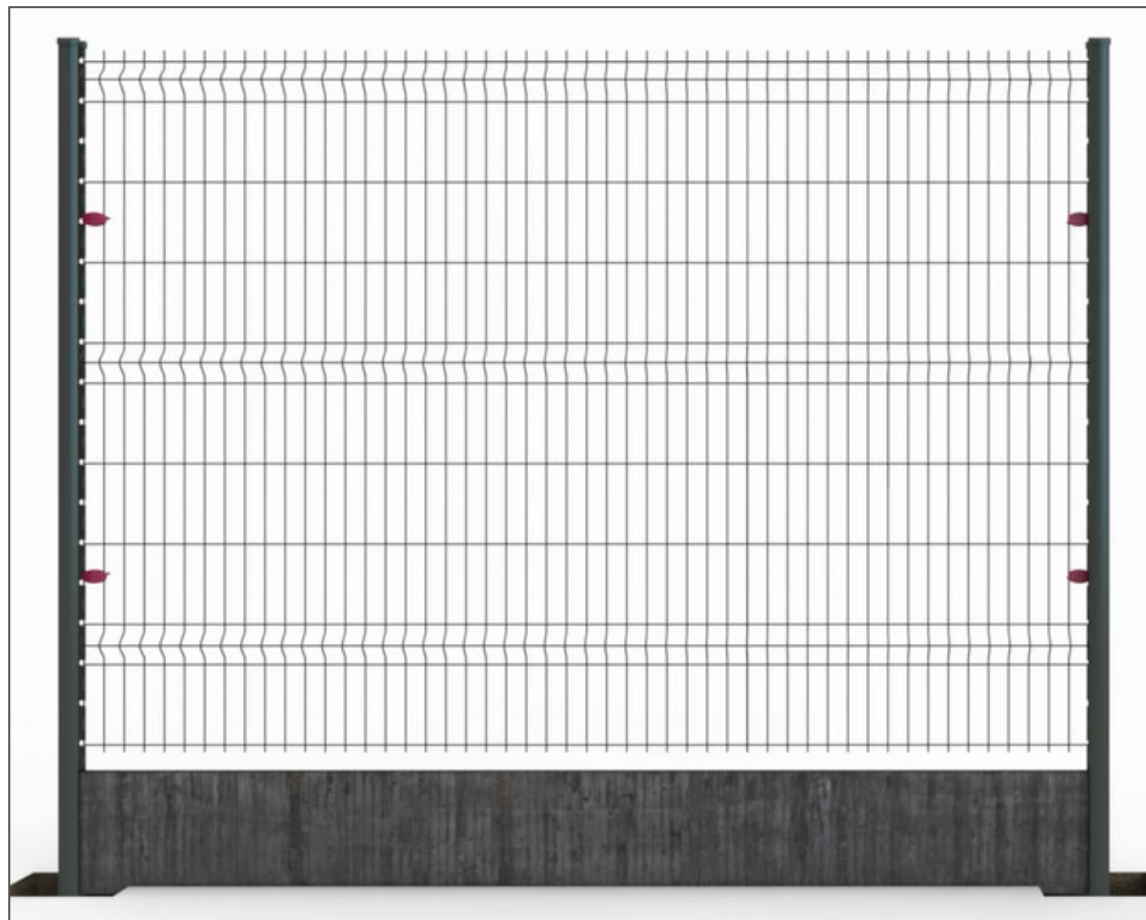
## 2. Installation of the fencing system

---

### 2. Installation posts & panels

#### INSTALLATION WITH CONCRETE PLATE

- The post can be used to hold the concrete plate, no additional plate holder is required



# YOUTUBE

---

- A detailed installation video can also be found online on YOUTUBE



---

**IB BETAFENCE**

a PRÆSIDIAD brand