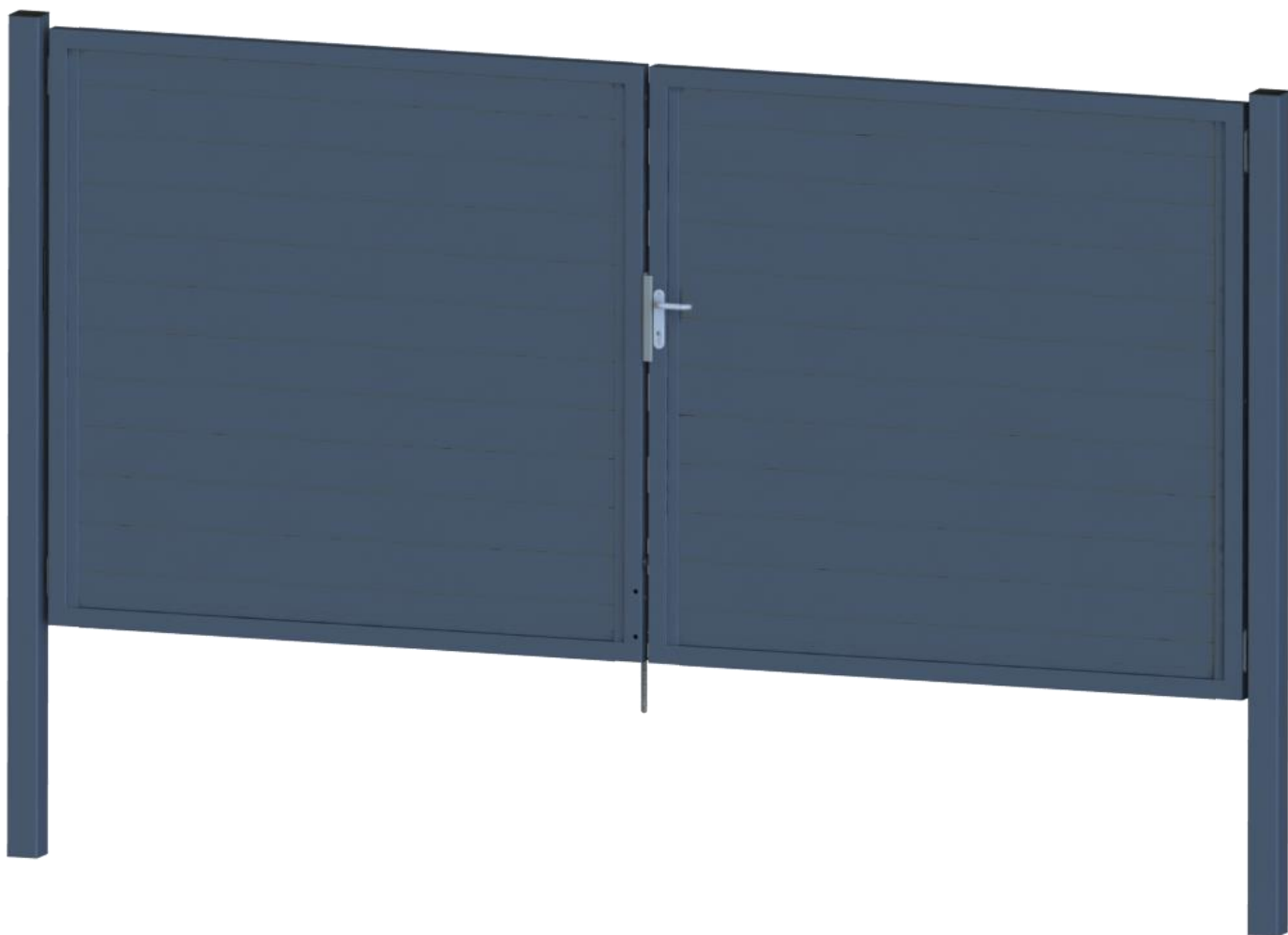


INSTALLATION MANUAL

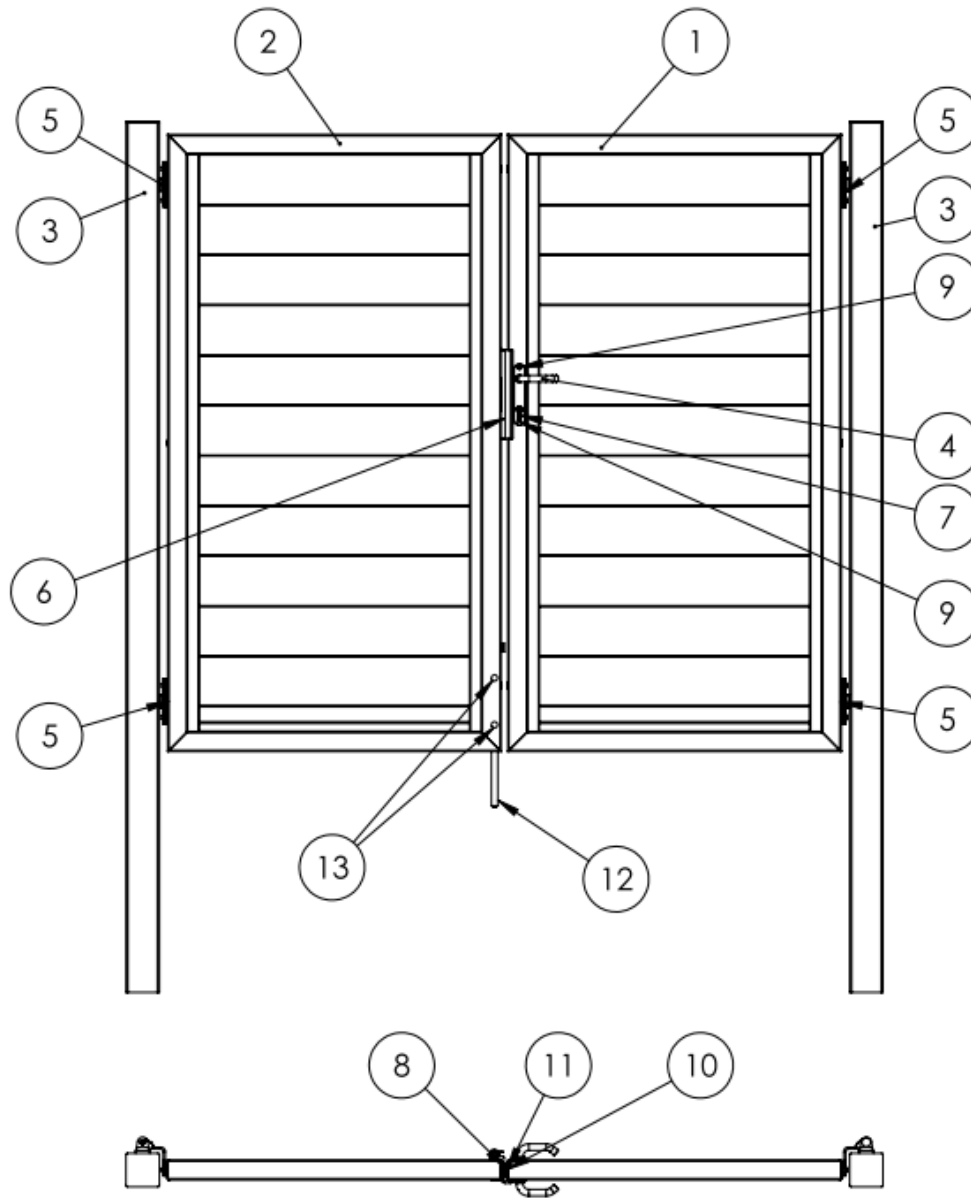
HoriZen® Aluminium Double Gate



— HoriZen® Aluminium Double Gate

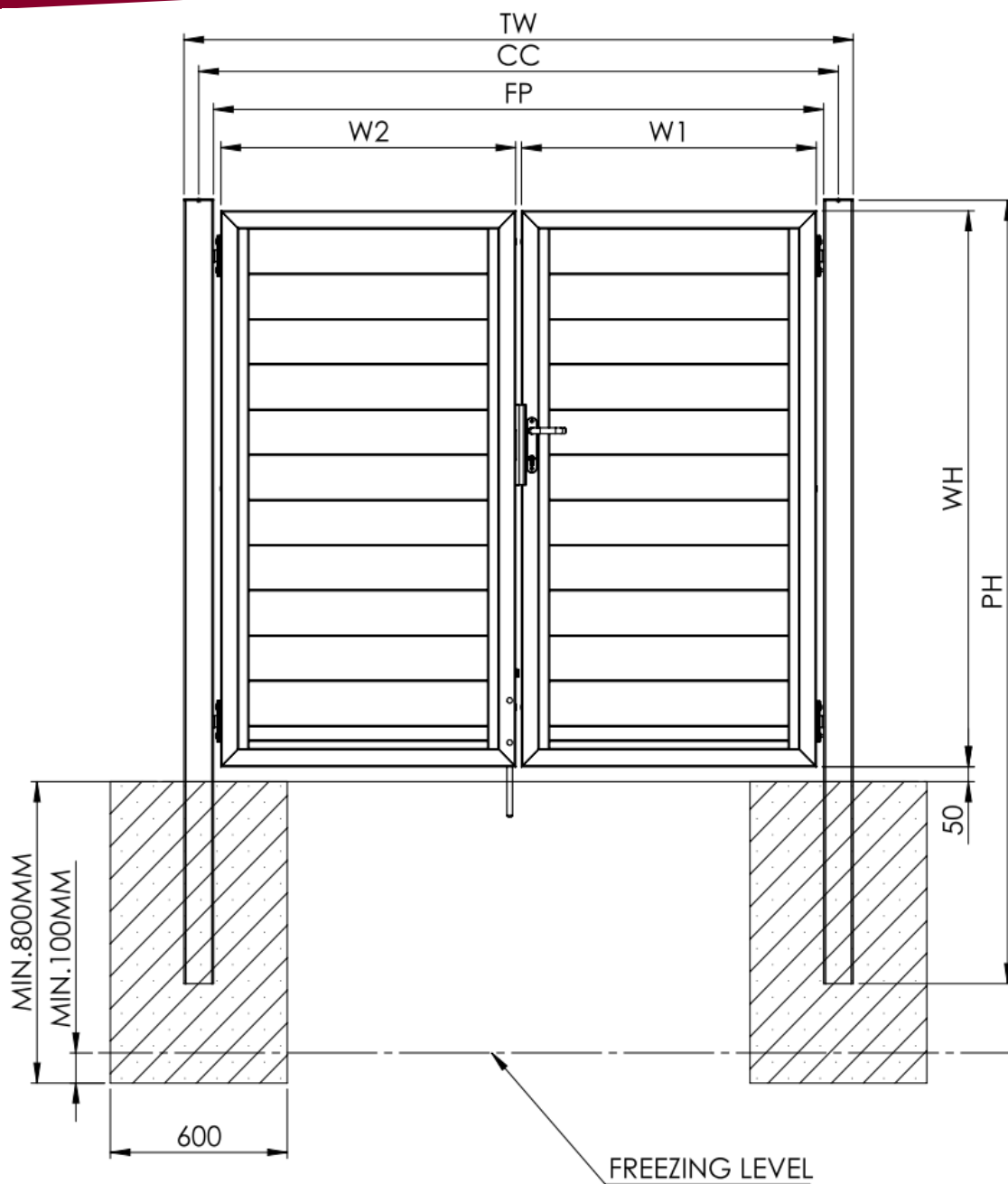


HoriZen® Aluminium Double Gate



	PART	QTY.
1	LOCKWING	1
2	LATCH WING	1
3	HINGE POST	2
4	HANDLE, COVER SHIELD	1 set
5	HINGE	4
6	LATCH	1
7	LOCK CYLINDER	1
8	LOCK	1
9	BOLT M4	4
10	BOLT M5	1
11	BOLT M6	2
12	GROUND BOLT	1
13	CAPS	2

HoriZen® Aluminium Double Gate Dimensions

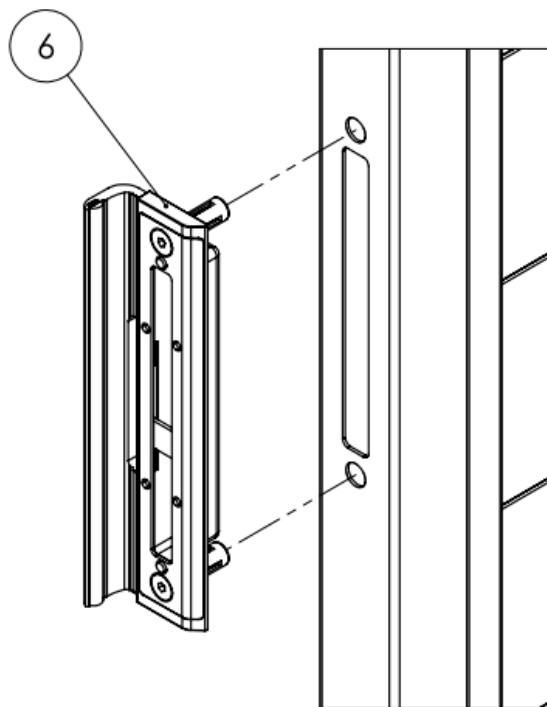


HoriZen® Aluminium Double Swing Gate			
Wing width (W) [mm]	FP [mm]	CC [mm]	TW [mm]
W1 < 1500 mm & W2 < 1500 mm	W1 + W2 + 70 mm	W1 + W2 + 170 mm	W1 + W2 + 270 mm
W1 or W2 ≥ 1500 mm	W1 + W2 + 70 mm	W1 + W2 + 190 mm	W1 + W2 + 310 mm

Remarks: Right inside opening is presented in this document.
 To get other opening, orientation of latch, wings or posts must/can be changed.

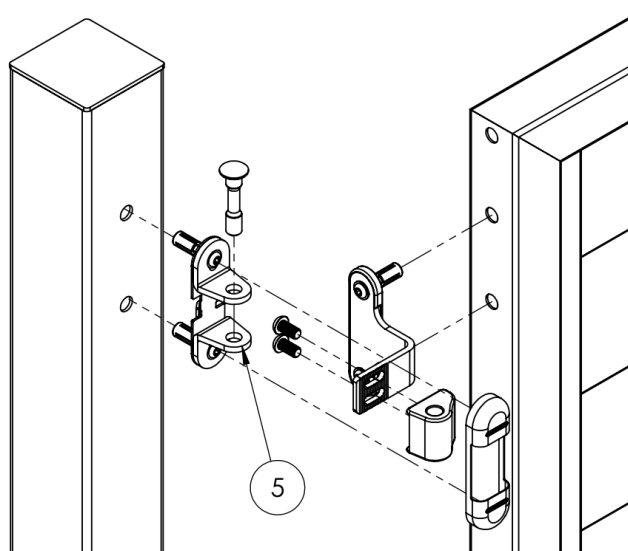
Installation

- Install the gate posts in the concrete according to the table on previous page. Protect materials from rain, snow, and direct sunlight when stored to avoid excessive temperature fluctuations of the material.
- Connect catcher to latch wing



Installation catcher/latch

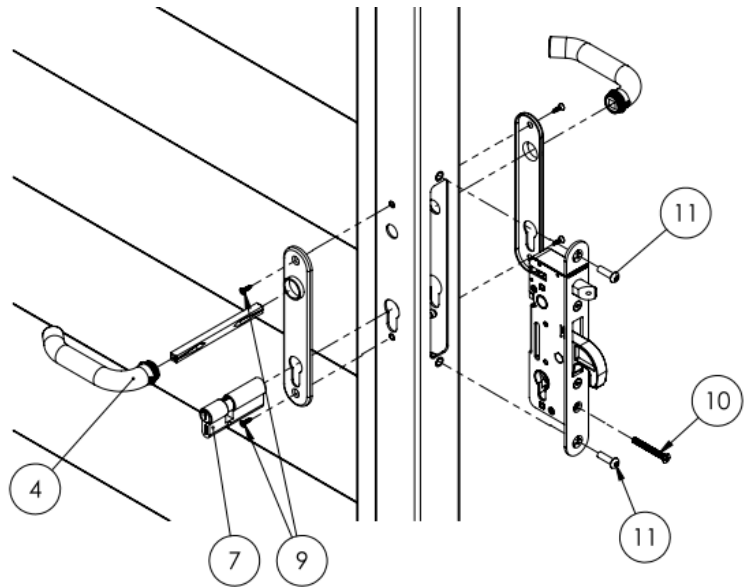
- Mount hinges to posts and wings and connect them



Installation hinges

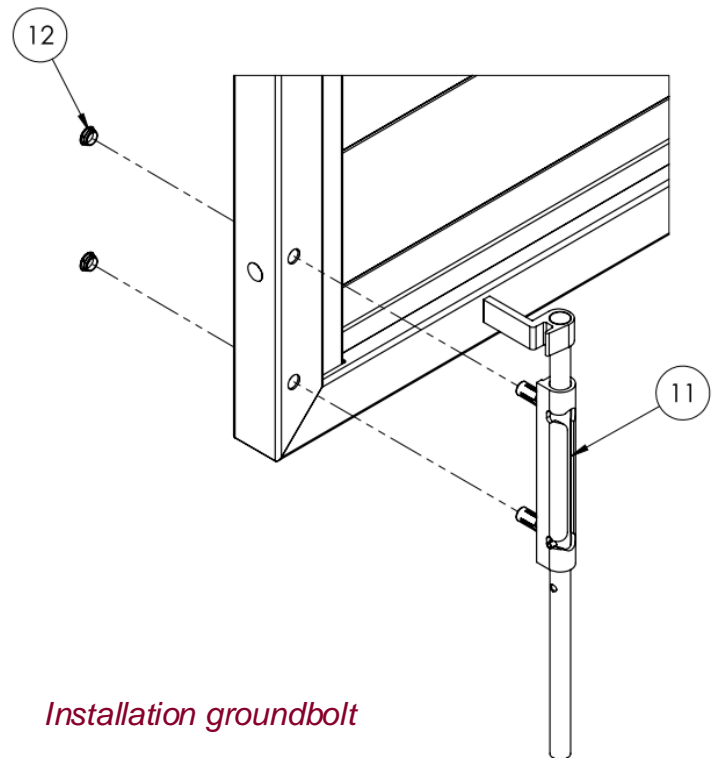
Installation

- Mount lock into the lock wing



Installation of lock

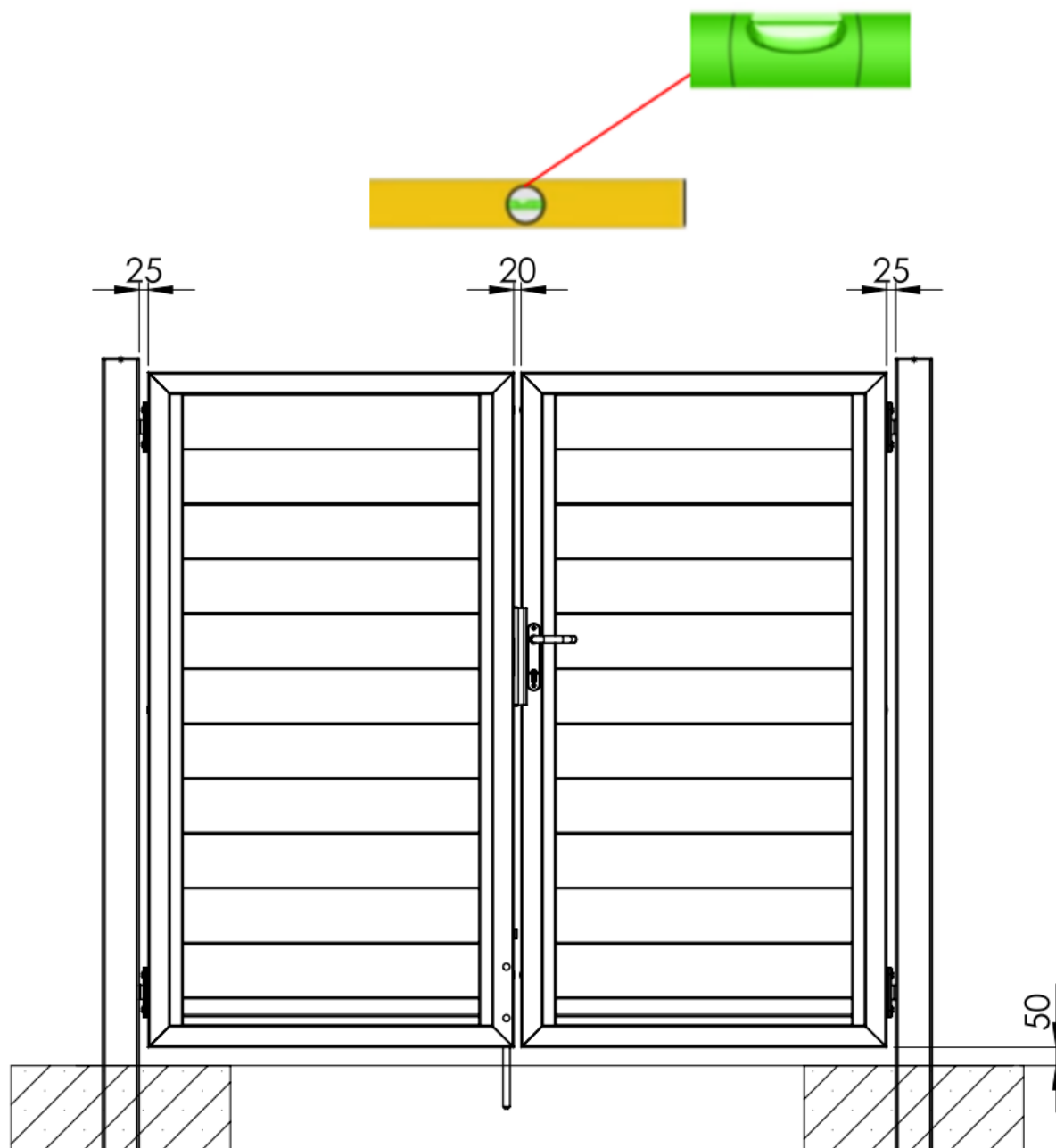
- Mount groundbolt / groundbolt holder to latch wing



Installation groundbolt

Installation

- Wings must keep perfect horizontal line



Wings installation

General warnings

Precautions for installation and user

- After unpacking, please check if the gate is intact. In case of doubt, do not use the gate and consult with the qualified personnel. The packaging consists of plastic bags, expanded polystyrene, nails, etc., and must therefore be kept away from children, as they may pose danger.
- The gate may only be used for the purpose intended by the manufacturer. Any other use should be considered inappropriate and therefore dangerous. The producer declines responsibility for any damage that may follow from unprofessional, incorrect and unreasonable use.
- In the case of breakdown and/or incorrect use of the gate, please contact the manufacturer or an authorised service in order to perform the necessary repairs.

Maintenance

- The functioning of the lock must be checked at least every two months.
- The gate has no lubrication points or parts which require a change of lubricant.
- In the case of repairs, only original parts should be used.
- Damage to the coating should only be refinished with special paint by an authorised service.

Important remarks

- Avoid proximity to the hinges, as body parts and clothing may get caught in them.
- Please remember that the gate may be exposed to significant forces (e.g., wind), which can be a source of danger. Keep a safe distance from the gate while it is moving.
- Don't allow children to play within the working range of the gate even when it is closed.
- Make sure that the middle and/or side locking device is in the respective ground sleeve when the gate is opening or closing, respectively.
- Make sure the lock is fitted correctly and functioning, and that the closed gate is locked.
- Make sure that the person who opens or closes the gate holds it correctly and leads it throughout its movement.
- Inform all users of these warnings. You may post this information in an appropriate location.
- It is essential to follow the instructions of the manufacturer in order to ensure correct installation and functioning.

Proud to be a PRÆSIDIAD brand, Betafence is part of a global network, working alongside Guardiar and Hesco as leaders in perimeter security systems and solutions.

For more information, please visit praesidiad.com