

Bekafix® Ultra + Nylofor®

Installation manual

Version December 2023

EN



Bekafix Ultra®



Nylofor®
panel systems

Contents

1. Components of the fencing systems

1. The posts
2. Fixators and tools

2. Installation of the fencing systems

1. Foundations
2. Installation of posts & panels

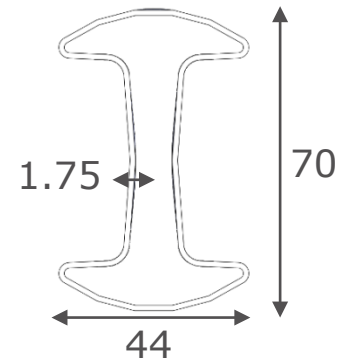
3. Options / Accessories

4. Youtube installation video

1. Components of the fencing systems

1. The posts

- Profile 70x44x1.75mm
- Posts are available for fence heights from 2 to 4 metres
- Post lengths: 2475, 2575, 3175, 3775 and 4775mm
- The posts are galvanised inside and outside (Magnelis) and double polyester coated
- This type of post can be installed with Nylofor 3D(+), 3D XL, 3D Essential, 3D Super, 2D, 2D Super, F panels
- Each post has lateral holes every 150 mm to secure the steel panel clamps with security bolts. Across the whole length of the post there are perforations to click the clamps into by using the specific tong.
- Each post is fitted with a plastic post cap. The cap is equipped with a hook to support the panel during installation.
- A **foot plate** can be slid & fixed into the post. **Bent arms** are as well available as accessories.



1. Components of the fencing systems

2. Fixators and tools

- **Steel fixators** to attach the panel to the post at the side. The clamps are clicked into the perforations in the post by using the specific tong. For extra security they can be secured with **M6x50** mushroom head square neck bolts, washer M6 and breaking-off nut M6 (stainless steel). At least 1 bolt connection per panel side is necessary. Two types are available, depending on the type of panel being installed
 1. Bekafix Ultra steel clamps for NYL 3D(+)/XL /2D/F
 2. Bekafix (Ultra) steel clamps for NYL 2D Super / 3D Super
- To position & fix the clamps a standard Bekafix tong is needed/can be used.

Type 1



Type 2



Bekafix tong



Optional security bolt



2. Installation of the fencing systems

1. Foundations

- To obtain the best result, it is advisable to level the ground over the whole length of the fence
- For correct positioning, maintain the centre-centre distances. The distance is determined by the post system and the type of panel being installed

Centre-centre distance table

Post system	Panel width		
	2000 mm	2500 mm	3000 mm
Bekafix Ultra	2020 mm	2520 mm	3020 mm

- Align the fence line
- To determine the dimensions of the foundations it is advisable to consult a specialised engineer to evaluate wind load and solar conditions and any other factors requiring specialist opinion (concrete quality directive B30)



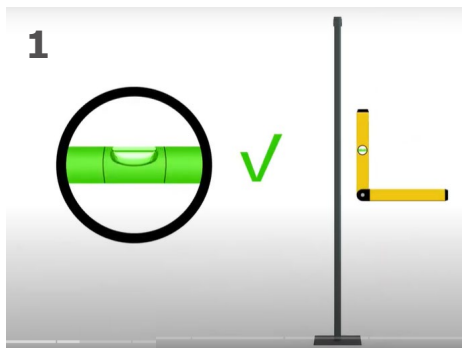
2. Installation of the fencing systems

2. Installation of posts & panels

Installation principle: Bekafix Ultra posts are installed according to the 'post-panel-post' system

PLACING THE POSTS IN CONCRETE

- The first post is set in dry concrete, which you compact well, and its verticality is checked. You'll also check the height of the post, which should correspond to the height of your panel plus the height of any base plate if used,
- After sealing your first post, hang the first panel on the post cap hook.
- Then fix your panel to the post by positioning the first metallic fixator under the 3D (or the double wire or flat iron, depending on the panel model). This distributes the load between the hook and the fixing. You then install the bottom fixation under the second bottom wire of the panel.
- To clip your fixators into the post, use the Bekafix clamp. Use the recommended number of fixings according to the height of the panel and position them preferably under the horizontal wires.
- In case of direct installation the post needs to be supported as long as necessary




2. Installation of the fencing systems

2. Installation of posts & panels

- Seal the second post and secure it to the panel. Always check the alignment of your work with a level as you go along.
- To continue the work, hang your second panel in the hook of the second post.
- Repeat the operations as described previously.

(A) Fence height [mm]	(B) Number of fixators per intermediate/corner post	(C) Number of fixators per end post
1930	2 x 4	4
2030	2 x 4	4
2430	2 x 4	4
3030 or 2030 + 1030	2 x 5	5
3030 + 1030 or 2030 + 2030	2 x 6	6



► You can reinforce the security of your fixator by adding a reinforcement set consisting of a bolt and a self-locking nut. At the very least, one per post.

2. Installation of the fencing systems

2. Installation of posts & panels

MAKING CORNERS

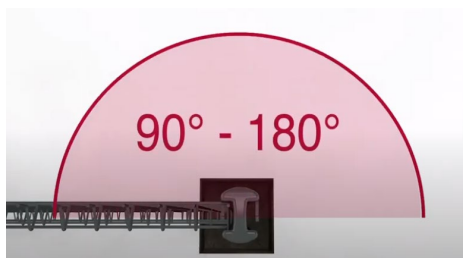
The corner posts are placed on the line with the bisector of the right or obtuse angle to be made. For an acute angle the post with the panel making the acute angle is placed into the same foundation hole as the last line post. The panels are attached to the corner post only by means of polyester coated metal clamps.

Nylofor 3D(+)/XL

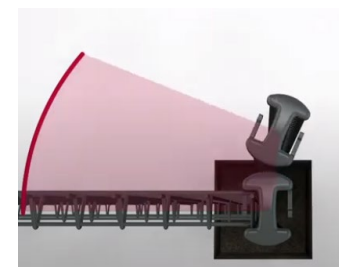
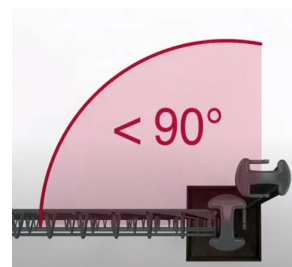
A right or obtuse angle can be made with one post. To make an acute angle 2 posts are needed.

Nylofor 2D/2DS/F

For all angles 2 posts are needed



Except Nylofor 2D, 2DS et F where 2 posts are mandatory to create a 90° angle



2. Installation of the fencing systems

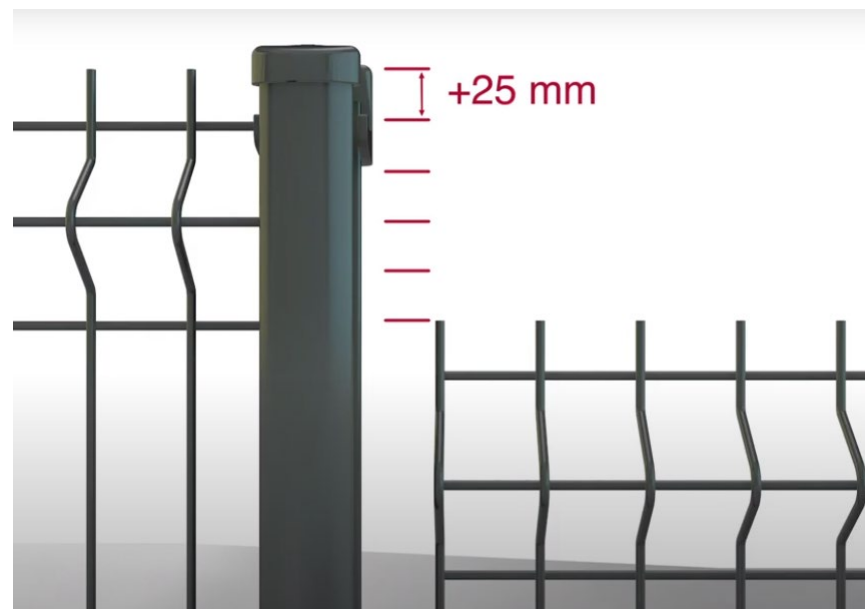
2. Installation of posts & panels

INSTALLATION ON SLOPES

When building a fence on a slope using the Bekafix Ultra post it is best to start at the highest point of the site

Where the site slopes, the next panel should not be hooked into the hook cap; the new panel should just be placed lower according to need

The Bekafix Ultra posts allows for step sizes of 25 MM



2. Installation of the fencing systems

2. Installation of posts & panels

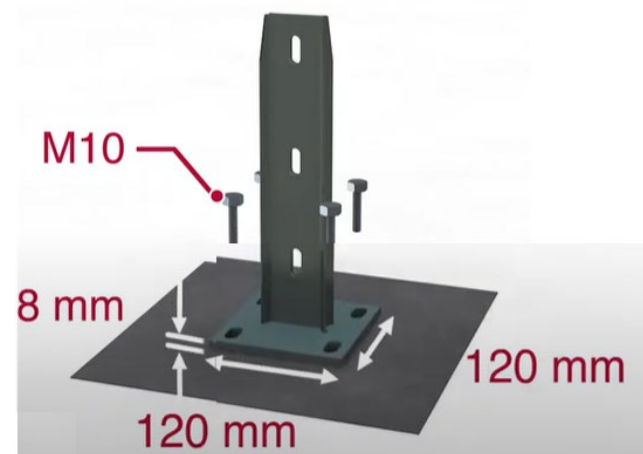
INSTALLATION WITH A BASE PLATE

The Bekafix Ultra post is compatible with installation on a foot plate. If necessary, simply cut the post to the length, protect the cutted part to prevent rust and insert your foot plate into the post. A foot plate can still be used when installing a concrete plate, as the foot plate is inserted **into** the profile of the post.

The foot plate has 4 oblong holes 24x12 mm, which will accept 4 screws or threaded rods M10 (to be adapted according to your surface). The foot plate is then fasten to the post with 2 M8X20 bolts (+ washer + lock nuts), to be purchased separately.

(A) Panel height [mm]	(B) Cutted length for post on baseplate [mm]
1930	1975
2030	2075
2430	2475
3060	3100
(2030+1030)*	

* Panels superposition

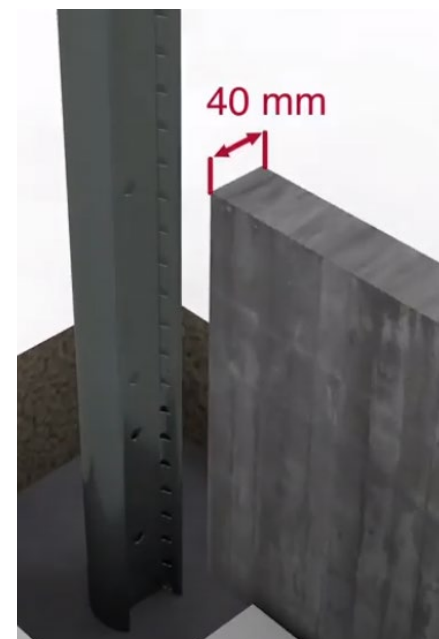


2. Installation of the fencing systems

2. Installation of posts & panels

INSTALLATION WITH CONCRETE SLABS

A concrete slab can be placed in the middle of the Bekafix Ultra post. The same installation principle applies post – concrete slab – panel - post - concrete slab - panel ...



3. Options and accessories

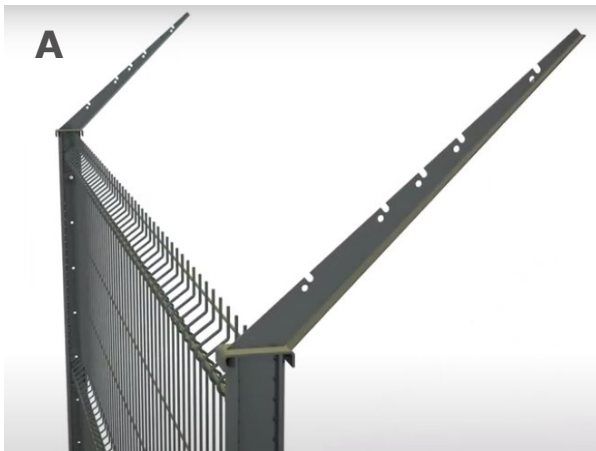
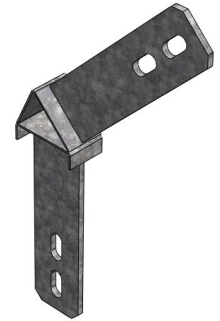
A - CRANKED ARMS (SINGLE OR DOUBLE)

- For barbed wire
- For Concertina network



B – CONNECTOR FOR CRANKED PANEL*

- Angle 45°
- Maximum loading of this piece is 50 Kg



* In case of special requirements, it's advised to contact a project engineer for strength calculations.

4. Youtube

For more detailed information please consult our YouTube installation video



[WATCH THE VIDEO](#)

IB BETAFENCE

a PRÆSIDIAD brand